

space_ADV

500 - 800 - 1100

: external filter
for aquariums



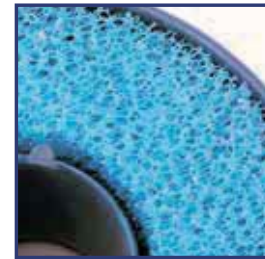
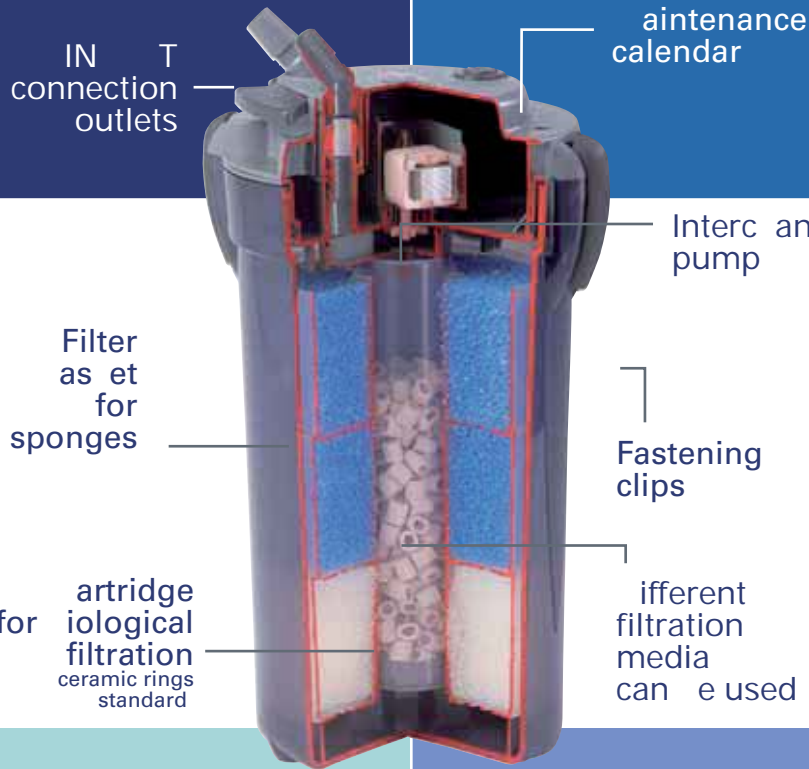
space_adv > filtro esterno per acquari





ENG pace A is the new line of external filters proposed. It is provided in models and studied to guarantee an efficient filtration system favoured by its dimensions and the space dedicated to filtration. The filters are supplied with sponges of different densities and topology for the mechanical filtration as well as the media material for biological filtration. An innovative compartment inside the filter protects the bacterial flora during the cleaning operations in order to maintain an unaltered equilibrium. The pace A further distinguishes itself for the extreme silence and immediate priming system of the filter.

ITA pace A è la nuova linea di filtri esterni proposta da SICCE. È prevista in modelli studiati per garantire un efficiente sistema di filtraggio favorito dalle dimensioni e dallo spazio dedicato alla filtrazione. Sono dotati di pugne di diversa densità e tipologia per la filtrazione meccanica e materiale filtrante per la filtrazione biologica. Un innovativo vano all'interno del filtro protegge la flora batterica durante le operazioni di pulizia per mantenere inalterato l'equilibrio. Il pace A si distingue inoltre per la silenziosità e per l'immediato sistema di innesco del filtro.



optional

: a e		: a e		: a e	
olt	olt	olt	olt	olt	olt
att	att	att	att	att	att
l	gp	l	gp	l	gp

















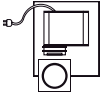

pace_ADV
c es a
c p e e a e
access es



: Accessories - Spare parts

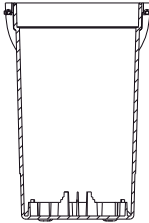
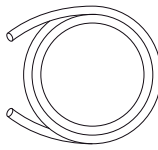


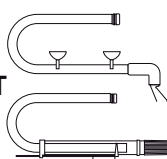


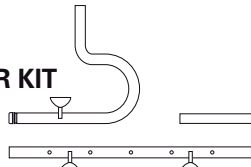
Space ADV	500	800	11000
Spare Parts - Accessories			
TAP GROUP 	SKT0067	SKT0067	SKT0067
EXTERNAL LID 	SKT0050	SKT0050	SKT0050
INTERNAL LID 	SPL0025	SPL0025	SPL0025
IMPELLER ADV 	SKT0051	SKT0052	SKT0053
PRECHAMBER 	SKT0065	SKT0065	SKT0065
TUBE 	SKT0055	SKT0055	SKT0055
SPONGES 10 PPI 	SSP0011	SSP0011	SSP0011
SPONGES 20 PPI 	SSP0012	SSP0012	SSP0012

Space ADV	500	800	11000
Spare Parts - Accessories			
SUCKERS KIT 	SKT0061	SKT0061	SKT0061
SPONGES PERLON 	SSP0013	SSP0013	SSP0013
CARBONATED SPONGES 	SSP0014	SSP0014	SSP0014
BASKET 	SPL0026	SPL0026	SPL0026
EXTERNAL & INTERNAL CLIPS 	SKT0056	SKT0056	SKT0056
TUBE RING 	SPL0029	SPL0029	SPL0029
PUMP GROUP 	SKT0057	SKT0058	SKT0059
RUBBER FEET KIT 	SVA0002	SVA0002	SVA0002

Accessories - Spare parts



Space ADV	500	800	11000	
Spare Parts - Accessory				
CANISTER		SPL0028	SPL0027	SPL0027
FLEXIBLE TUBES		STR0006	STR0006	STR0006
O-RINGS KIT		SKT0062	SKT0062	SKT0062
START UP PUMP KIT		SKT0063	SKT0063	SKT0063
ACCESSORIES KIT		SKT0060	SKT0060	SKT0060

Space ADV	500	800	11000	
Spare Parts - Accessory				
SPRAY BAR KIT		SKT0064	SKT0064	SKT0064



Space ADV 500 packaging



Space ADV 800-1100 packaging

Packaging dimensions	Length	Depth	Height
	Space ADV 500	260 mm	260 mm
Space ADV 800 - 1100	260 mm	260 mm	360 mm



Spare parts packaging

SICCE S.p.A. - Via V. Emanuele, 115
 36050 Pozzoleone (Vicenza) - ITALY
 Tel: +39 0444 462826 Fax +39 0444 462828
 www.sicce.com - info@sicce.com