

ULTRA 9000

MULTIFUNCTION PUMP



INSTRUCTION MANUAL

EN · IT · DE · FR · ES · NL · PT · CZ · SK · RO · PL · SE · DK · NO



SEAL AND SIGNATURE OF RESALE DEALER
TIMBRO E FIRMA DEL RIVENDITORE
STEMPEL UND UNTERSCHRIFT DES VERKAUFERS
CACHET ET SIGNATURE DU REVENDEUR
SELLO Y FIRMA DEL REVENDEDOR
STEMPEL EN HANDTEKENING VAN DE DEALER
CARIMBO E ASSINATURA DO REVENDEDOR



WARRANTY
GARANZIA
GARANTIE
GARANTIA
GARANTIED
GARANTIA
GARANTI

DATE OF PURCHASE
DATA DI VENDITA
VERKAUFSDATUM
DATE DE VENTE
FECHA DE VENTA
DATUM VAN AANKOOP
DATA DE VENDA

____ / ____ / ____
day month year

ULTRA 9000

MULTIFUNCTION PUMP

SICCE WEBSITE



YouTube™



IMPORTANT SAFETY INSTRUCTIONS

WARNING - To guard against injury, basic safety precautions should be observed, including the following:

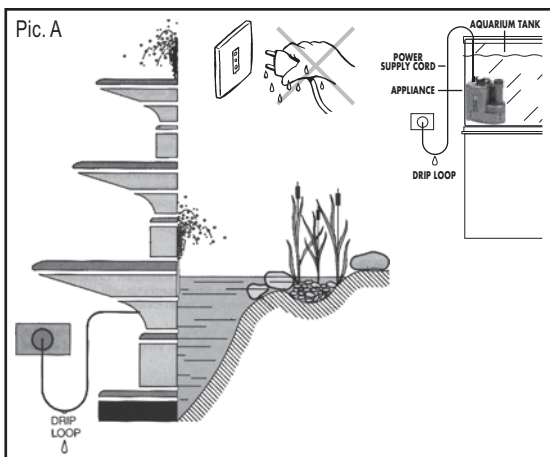
READ AND FOLLOW ALL SAFETY INSTRUCTIONS

CAUTION: Always disconnect the pump when not in use, before adding or removing parts and before cleaning.

- Do not allow pump to run dry. Pump must be immersed in water completely.
- This pump is to be used in a circuit protected by a ground fault circuit interrupter.

WARNING: Risk of electric shock - This pump is supplied with a grounding conductor and grounding-type attachment plug. To reduce the risk of electric shock, be certain that it is connected only to a properly grounded, grounding-type receptacle.

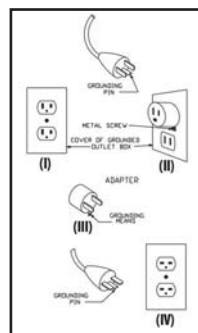
- To reduce the risk of electric shock, install only on a circuit protected by a Ground - Fault Circuit - Interrupter (GFCI).
- To reduce the risk of electric shock, use only on portable self-contained fountain no large than 5 feet in any dimension.
- This pump has not been investigated for use in swimming pool or marine areas.
- To avoid possible electric shock, special care should be taken since water is employed in the use of aquarium or pond equipment.



For each of the following situations, do not attempt repairs by yourself. Return the appliance to an authorized service facility for service or discard the appliance.

- 1) Do not operate any appliance if it has a damaged cord or plug, or if it doesn't work properly or has been dropped or damaged in any manner.
- 2) To avoid the possibility of the appliance plug or receptacle getting wet, position aquarium stand and tank or the fountain to one side of a wall-mounted receptacle to prevent water from dripping onto the receptacle or plug.

A "drip-loop" (**Pic. A**) should be arranged by the user for each cord connecting an aquarium appliance to a receptacle.



The “drip-loop” is the part of the cord below the level of the receptacle or the connector if an extension cord is used, which prevents water travelling along the cord and coming in contact with the receptacle. If the plug or socket does get wet, DON'T unplug the cord. Disconnect the fuse or circuit breaker that supplies power to appliance. Then unplug and examine for presence of water in the receptacle.

- 3) Close supervision is necessary when any appliance is used by near children.
- 4) To avoid injury, do not contact moving parts or hot parts such as heaters, reflectors, lamp bulbs and similar.
- 5) Always unplug an appliance from an outlet when not in use, before putting on or taking off parts and before cleaning.
Never yank cord to pull plug from outlet. Grasp the plug and pull to disconnect.
- 6) Do not use an appliance for other than intended use. The use of attachments, not recommended or sold by the manufacturer of the appliance, may cause an unsafe condition.
- 7) Do not install or store the appliances where it will be exposed to the weather or to temperatures below freezing.
- 8) Make sure an appliance mounted on a tank is securely installed before operating it.
- 9) Read and observe all the important notices of the appliance.
- 10) If an extension cord is necessary, a cord with a proper rating should be used. A cord rated for less amperes or watts than the appliance rating may overheat. Care should be taken to arrange the cord so that it will not be tripped over or pulled.
- 11) This appliance has a polarized plug (one blade is wider than other). As a safety feature, this plug will fit in a polarized outlet only one way. If the plug does not fit fully in the outlet, reverse the plug. If it still does not fit, contact a qualified electrician. Never use with an extension cord unless plug can be fully inserted. Do no attempt to defeat this safety feature.

GROUNDING INSTRUCTIONS

This appliance should be grounded to minimize the possibility of electric shock. This appliance is equipped with an electric cord having an equipment grounding conductor and a grounding type plug. The plug must be plugged into an outlet that is installed and grounded in accordance with all appropriate codes and ordinances.

This appliance is for use on a nominal 120-volt circuit, and has a grounding plug that looks like the plug illustrated in *(I)*. A temporary adapter which looks like the adapter illustrated in *(II)* and *(III)* may be used to connect this plug to a two-pole receptacle as shown in *(II)* if a grounded outlet is not available. The temporary adapter should be used only until a grounded outlet is not available. The temporary adapter should be used only until a grounded outlet can be installed by a qualified electrician. The green-colored rigid ear (lug, and the like) extending from the adapter must be fastened to a permanent ground such as a grounded outlet box.

SAVE THESE INSTRUCTIONS

CONSIGNES DE SÉCURITÉ IMPORTANTES

MISE EN GARDE: Afin de se protéger contre les blessures, des mesures de sécurité de base doivent être observées, y compris les suivantes.

LIRE ET OBSERVER TOUTES LES CONSIGNES DE SÉCURITÉ

ATTENTION: Toujours débrancher une pompe qui ne sert pas, ou à laquelle on doit ajouter ou retirer des pièces ou qui doit être entretenue.

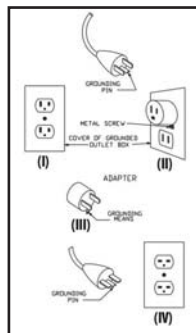
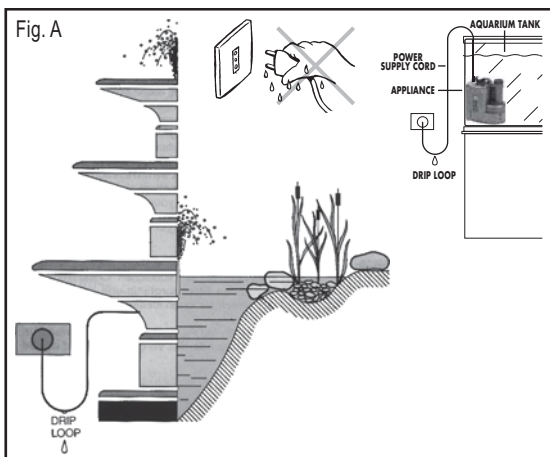
- Ne pas faire fonctionner la pompe à sec. La pompe peut être complètement immergée dans l'eau.
- Cette pompe doit être branchée à une dérivation protégée par un disjoncteur différentiel.

DANGER - Risque de choc électrique - Cette pompe est munie d'une fiche de raccordement de mise à la terre. Afin de réduire le risque de choc électrique vous assurer qu'elle est branchée seulement à une prise de courant adéquatement mise à la terre.

- Pour réduire le risque de choc électrique, installer seulement sur un circuit protégé par GFCI.
 - Pour réduire le risque de choc électrique, utilisez-la uniquement sur une récipient portable de max 5 pieds dans n'importe quelle dimension.
- Cette pompe n'a pas été étudiée pour une utilisation dans une piscine ou des zones marines.

- Pour éviter tout choc électrique, une grande prudence est de rigueur. Dans chacune des situations suivantes, ne pas essayer de réparer l'appareil soi-même; l'expédier au fabricant pour réparation ou le jeter.

- 1) Ne pas faire fonctionner un appareil défectueux, dont le cordon électrique ou la fiche sont endommagés, ou qui a été échappé ou abîmé d'une façon quelconque.
- 2) Afin d'éviter que l'appareil ou la prise de courant soient mouillés, installer le support pour aquarium et le bac ou la fontaine à côté d'une prise de courant pour empêcher l'eau de dégoutter sur la prise. L'utilisateur devrait faire une boucle d'égouttement (**Fig. A**) pour chaque cordon électrique branché d'un aquarium à une prise de courant.



Une boucle d'égouttement est la partie du cordon se trouvant sous la prise de courant ou le raccord si une rallonge électrique est utilisée, afin d'empêcher l'eau de circuler le long du cordon électrique et d'être en contact avec la prise de courant. Si la fiche ou la prise de courant sont mouillées, NE PAS débrancher le cordon électrique.

Débrancher d'abord le fusible ou disjoncteur qui fournit l'électricité à l'appareil et débrancher ensuite l'appareil en vérifiant qu'il n'y a pas d'eau dans la prise.

- 3) Il est essentiel de surveiller étroitement les enfants utilisant cet appareil ou se trouvant à proximité.
- 4) Pour éviter les accidents, ne pas toucher aux pièces mobiles ou chaudes comme les chauffe-eau, réflecteurs, ampoules, etc.
- 5) Toujours débrancher l'appareil quand il n'est pas utilisé, quand des pièces sont enlevées ou remplacées et avant l'entretien. Ne jamais tirer sur le fil pour débrancher l'appareil; prendre la fiche et débrancher l'appareil.
- 6) Ne pas utiliser un appareil pour un emploi autre que celui pour lequel il a été fabriqué. Les pièces non vendues ou non recommandées par le fabricant pourraient compromettre la sécurité de l'appareil.
- 7) Ne pas exposer cet appareil aux intempéries ou à une température en dessous de 0° C.
- 8) Vous assurer qu'un appareil monté sur un aquarium est bien installé avant de le faire fonctionner.
- 9) Lire et observer tous les avis importants sur l'appareil.
- 10) Si une rallonge électrique est nécessaire, vous assurer qu'elle est d'un calibre adéquat. Un cordon électrique de calibre inférieur ou de moins d'ampères ou de watts que l'appareil peut surchauffer. Le cordon doit être placé de façon à éviter que quelqu'un trébuche ou le tire.
- 11) Cet appareil possède une fiche polarisée (une lame est plus large que les autres). Par mesure de sécurité, cette fiche s'insère dans une prise polarisée que dans un sens. Si la fiche n'entre pas complètement dans la prise, inverser la fiche. Si elle ne rentre toujours pas, contactez un électricien qualifié. Ne jamais utiliser une rallonge si la fiche peut être insérée complètement. Ne pas essayer de contourner ce dispositif de sécurité.

MISE À LA TERRE

Cet appareil doit être mis à la terre (masse) afin de minimiser les risques de choc électrique. Cet appareil est équipé d'un cordon électrique possédant un conducteur de terre et une prise de terre. La fiche doit être branchée dans une prise installée et mise à la terre en conformité avec tous les codes et les ordonnances appropriées.

Cet appareil est destiné à l'utilisation dans un circuit de 120 volts nominales et a une fiche de mise à la terre qui ressemble à la fiche illustrée en (I). Un adaptateur temporaire qui ressemble à l'adaptateur illustré en (II) et (III) peut être utilisé pour connecter cette fiche à une prise à deux broches comme indiqué dans (II), si une prise de terre n'est pas disponible. L'adaptateur temporaire ne doit être utilisé que jusqu'à quand une prise avec mise à la terre n'est pas disponible. L'adaptateur temporaire ne doit être utilisé que jusqu'à quand une prise de terre peut être installée par un électricien qualifié. L'ergot rigide de couleur verte (oreille, patte) se étendant de l'adaptateur doit être fixé à une mise à la terre permanente, comme par exemple une boîte de prise de terre.

CONSERVER CES INSTRUCTIONS

ULTRA 9000

TECHNICAL SPECS

Q max	8500 l/h
H max	6.5 m
Max power consumption	110 W - 0.15 CV
Solids handling	8 mm
Liquid type	Clear grey water
Max. temperature	35° C
Application	Submerged
Cable lenght	10 mt.
Warranty	3 + 2 year

TECHNICAL COMPONENTS

Impeller	Self cleaning
Rotor	PP coating rotor
Electronic floating switch	Integrated
Shaft	Pure ceramic
Bearing	Pure ceramic

PIPE CONNECTION

Outlet	1" ½ GAS
Removable horizontal elbow	1" ½ GAS
3 step hose fitting	25 - 32 - 40 mm
Below water level	5 mm

MOTOR

Type	Synchronous motor with inverter
Insulation Class	1
Protection degree	IP X8
Current Type	220-240V / 50Hz 110-120V / 60Hz
Built-In protections	Thermal protection, rotor blocked, dry running

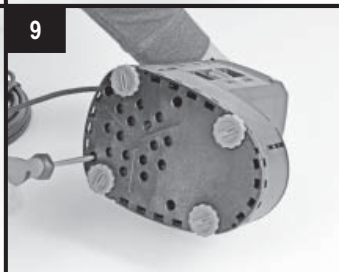
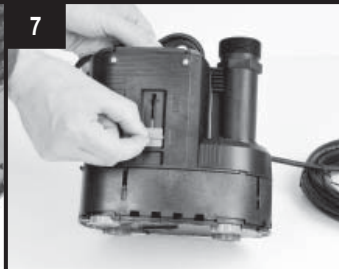
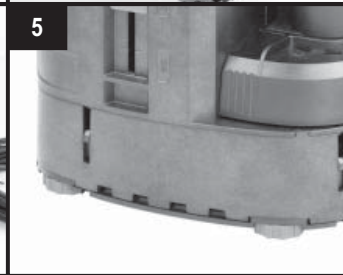
MATERIALS

Casing	ABS + GF
Impeller	POM
Shaft	Pure ceramic
Hose fitting	Polypropylene
O-ring	NBR

SPARE PARTS

	Code	Description
	SGR0268	ROTOR KIT ULTRA 9000 50-60Hz
	SVE0052	BOTTOM BEARING + Hook ULTRA 9000
	SVE0066	O-RING ULTRA 9000
	SPL0131	Integrated electronic switch ULTRA 9000

INSTALLATION, USE AND MAINTENANCE



Dear Customer

THANK YOU for choosing ULTRA 9000, a submersible pump designed and built to pump turbid water without fibres. ULTRA 9000 can be used mainly for domestic use with continuous or automatic operation via the integrated electronic level switch, for draining basements and garages subject to flooding, for pumping drainage wells, for pumping rainwater collection wells or infiltrations from gutters, to empty swimming pools or pool covers with the aid of the horizontal suction fitting supplied. If used continuously, ULTRA 9000 is also ideal for ponds, fountains, waterfalls, hydroponic applications and aquariums.

For your safety and for a correct use of your drainage pump, we advise you to carefully read the following instructions.

GENERAL SAFETY INSTRUCTION

ULTRA 9000 is made in conformity with the national and international security law.

1. Check that the tension on the pump's label matches the network tension. The pump has to be supplied by a differential switch (protector), through which the nominal current is lower or equal to 30mA.
2. These pumps can be used only submersed in water.
3. Before connecting the pump to the electric network, check that the cable and the pump are not damaged.
4. The pump has a type Z cable link. The cable and the plug cannot be substituted or repaired; in case of damage of them substitute the entire pump.
5. **CAUTION:** disconnect all the submersed electrical products before doing any maintenance in the water; in case the plug or the electric outlet are damaged, disconnect the general switch before disconnecting the electric supply cable.
6. The pump must not work without water to avoid damages to the motor.
7. The pump can be used in liquids or in environment with a temperature not higher than 35° C / 95° F.
8. Do not use the pump for uses different to those for which it has been designed as, i.e. in bathroom or similar applications.
9. Avoid to use the pump with corrosive and abrasive liquids.
10. The pump has not been designed for people with handicap and children if they are not supervised by a person responsible for their safety.
11. To avoid that accidental drips wet the plug or the socket, make a loop with the cord under the socket level (**Pic. A**).
12. Avoid to take the pump by the cord during the installation or maintenance.
13. The pump can be used only in the above mentioned applications.

WARNINGS

Use in cellars, basements, swimming pools, etc. it is allowed only if the electrical system is characterized by safety measures according to the international regulations in force.

The pump is equipped with a carrying handle, which can also be used to lower it into wells or deep excavations by means of a rope to be fixed on the hole present.

The pump must not be transported, lifted or operated suspended using the power cord. Any damage to the power cord requires replacement of the pump and not repair of the cord.

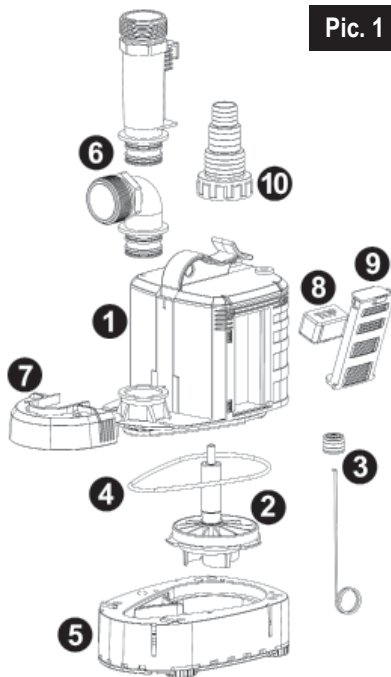
It is therefore necessary to make use of specialized and qualified personnel, in possession of the requisites required by current regulations. Qualified personnel should also be used for all electrical repairs which, if performed incorrectly, could cause damage and injury.

The pump must never be run dry: however, there is an electronic protection that switches off the pump in the event of dry running. The manufacturer is not liable for malfunctioning of the pump if it is tampered with or modified. In the event that the bottom of the sump, where the pump is to operate, is heavily soiled, it is advisable to provide a support on which to rest the pump in order to avoid blockages in the suction grille.

COMPONENTS

The ULTRA 9000 pump has been designed to allow the almost total disassembly of its components, to facilitate correct use, simple maintenance and ensure long life. Below is the list of individual parts and related spare parts (**Pic. 1**) - exploded view:

1. Motor body completely submersible and insulated with two-component resin
2. Rotor assembly with flange, impeller and bearing;
3. Rear Ceramic Bearing (Extraction Hook Accessory)
4. Rubber seals
5. Volute including grid adjustable in height using the 4 feet;
6. Interchangeable outlets: vertical and 90°;
7. Security lock for outputs;
8. Float for automatic ON-OFF function;
9. Float's cover
10. Graduated hose connector



Pic. 1

EN

IT

DE

FR

ES

NL

PT

CZ

SK

RO

PL

SE

DK

NO

ULTRA 9000



SEE PAGE 9

INSTALLATION - USE AND ADJUSTMENT

For the physical installation of the pump it is necessary to proceed as follows:

- Unwind the power cord of the pump in an area where it cannot be damaged in any way.
- If required, thread a rope (for the recovery of the pump) through the hole in the cover (**Pic. 2**).
- The pump is pre-assembled with a vertical outlet: if you wish to use the 90° one, follow the instructions in (**Pic. 3**). The outlets have a 1" ½ GAS male thread. It is possible to connect the stepped hose connector supplied or any other type of fitting with that thread;
- Place the pump in a flat area that is easily accessible for maintenance operations;
- If the pump is not stable, adjust one or more feet separately (**Pic. 4**);
- To suck the water up to the minimum level of 5 mm allowed by the pump, leave the grate closed (**Pic. 5**);
- If this requirement is not met, it is advisable to adjust the grille completely open (**Pic. 6**) to obtain maximum pump performance;
- Position the cursor on ON if you want to operate the pump continuously;
- Position the cursor on AUTO if you want to take advantage of the integrated electronic level switch; (**Pic. 7**)

IMPORTANT

The electronic board incorporated in the pump has been programmed to guarantee 3 levels of protection:

- **Locked Rotor Protection:** Locked or abnormal rotor function may occur due to excessive dirt. In this case the internal electronic card will activate 10 attempts to restart the pump correctly. If the pump does not restart automatically after 10 attempts, it will switch off. In this case, to restart the pump it will be necessary to remove the power supply plug from the socket, wait about 10 seconds before re-inserting the plug.
- **Dry running protection:** protection of the motor in case of operation without water. The pump stops if it runs without water. The electronic board will make 10 restart attempts. If there is still not enough water, the pump will go into stand-by. To restart it, unplug and plug it back in or move the cursor between ON and AUTO or wait for the water level to trigger the integrated electronic level switch. When the pump is taken out of the water, the motor stops
- **Thermal protection:** it comes into operation automatically to prevent damage to the motor when the

EN

IT

DE

FR

ES

NL

PT

CZ

SK

RO

PL

SE

DK

NO

ULTRA 9000

sensor incorporated in the pump detects a significant increase in ambient temperature.

ATTENTION! Do not underestimate the magnetic force of the rotor assembly. If you accidentally lose your grip a little and the spindle hits the pure ceramic rear bearing, the risk of damaging it or the bearing is very high. Damage of this type leads to high repair costs.

MAINTENANCE

All repair and maintenance operations must be carried out only after having disconnected the pump from the power supply.

Periodic cleaning of the float that pilots the electronic level switch is recommended.

Proceed as follows:

- Open the lid of the float (**Pic. 8**):
- Extract the float (**Pic. 8a**), clean it under a jet of water with the help of a soft brush if necessary. Also clean the seat if it is dirty;
- Insert the float again with the writing TOP facing up;
- Close the lid of the float.

For routine maintenance, cleaning the rotor unit is sufficient. For this operation you will have to (**Pic. 9**):

- Undo the four screws accessible from the bottom of the grille (**Pic. 9a**)
- Undo the two screws (**Pic. 9b**) accessible by removing the safety block of the outputs (7);
- Remove the volute and the grid (5). In this way it will be possible to extract the rotor complete with flange (2); (**Pic.10**)
- Clean the components under a jet of water, possibly using a soft brush. Reassemble the parts by carrying out all the above operations in reverse order. For extraordinary maintenance involving the replacement of the rotor-impeller unit (2) proceed as for the previous point except reassemble a new rotor-impeller unit (2) in place of the worn one.

INSTRUCTIONS FOR THE CORRECT DISCHARGE OF THE PRODUCT ACCORDING TO EU DIRECTIVE 2002/96/EC

When used or broken, the product does not have to be discharged with the other waste. It can be delivered to the specific electric waste collection centers or to dealers who give this service. Discharge separately an electric tool avoid negative consequences for the environment and for the Health and allows to regenerate the materials so to have a great saving of energy and resources.

WARRANTY

SICCE guarantees this product (see Exclusions below) to the original purchaser against defects of materials and workmanship for a period of five (3+2) years from the date of original purchase, except for the pump's impeller, which is guaranteed for a period of six (6) months. This warranty is limited to repair or replacement (at Sicce's option) of defective product only and does not cover loss of fishes and plants of the pond, personal injury, property loss, or damage arising from the use of the product. We recommend to keep the original proof of purchase to validate the warranty. Warranty claims must be submitted to the retailer where you purchased the product. Failure to present proof of purchase attached to the claim will invalidate the right to the guarantee. By connecting to the website www.sicce.com, in the appropriate session, you can request assistance if it has not been possible to contact the dealer. Also in this case the proof of purchase will be a fundamental requirement for the correct execution of the return procedure. Any warranty herein shall run concurrently with, and not in addition to, any minimum warranty periods established by applicable law. The claimant must obtain a "Return Merchandise Authorization" at the time of filing before sending any product for warranty or technical service. The purchaser bears the cost of shipping to and from the service center or repair station.

EXCLUSIONS. This warranty does not cover the following: *Damage resulting from accident, misuse, abuse, lack of reasonable care, use of the product that is other than normal or ordinary, using the project in abnormal working conditions or any other failures not resulting from defects in materials or workmanship. *Damage resulting from modification, tampering with or attempted repair by anyone other than Sicce or its designee. * Transfer of the product to someone other than the original purchaser. * Subjecting the product to electrical service not specified in the packaging; the original purchaser is responsible for providing adequate electrical facilities."

FIND OUT HOW TO GET YOUR PRODUCT GUARANTEED FOR 5 YEARS

To improve our service and our customers' satisfaction, Sicce offers the possibility of adding a 2 year extension (5 years total) to the warranty by simply registering your product on our website www.sicce.com in "Support/ Product Registration" Fill-in the form and upload the product's purchase receipt. After having correctly inserted all your data, complete the warranty extension request.

Gentile Cliente,

GRAZIE per aver scelto ULTRA 9000, una pompa di tipo sommersibile progettata e costruita per pompare acque torbide senza fibre. ULTRA 9000 può essere utilizzata prevalentemente per uso domestico con funzionamento in continuo o automatico tramite l'interruttore di livello elettronico integrato, per prosciugamento di scantinati ed autorimesse soggette ad allagamenti, per pompaggio di pozzi di drenaggio, per pompaggio di pozzetti raccolta acque piovane o di infiltrazioni provenienti da grondaie, per svuotare piscine o teli copri-piscina con l'ausilio del raccordo di aspirazione orizzontale in dotazione. Se utilizzata in continuo ULTRA 9000 è ideale anche per per laghetti, fontane, cascate, applicazioni idroponiche ed acquari.

Per utilizzare correttamente la Vostra pompa, consigliamo di leggere attentamente e conservare le istruzioni che seguono.

NORME DI SICUREZZA

ULTRA 9000 è prodotta in conformità alle attuali norme di sicurezza nazionali ed internazionali.

Controllare che la tensione riportata sull'etichetta della pompa corrisponda alla tensione di rete. L'apparecchio deve essere alimentato attraverso un interruttore differenziale (salvavita), la cui corrente nominale sia inferiore o uguale a 30mA.

1. Controllare che la tensione riportata sull'etichetta della pompa corrisponda alla tensione di rete. L'apparecchio deve essere alimentato attraverso un interruttore differenziale (salvavita), la cui corrente nominale sia inferiore o uguale a 30mA.
2. La pompa può essere utilizzata parzialmente o completamente sommersa.
3. Prima di collegare l'apparecchio alla rete controllare che il cavo e la pompa non risultino in qualche modo danneggiati.
4. La pompa è costruita con un collegamento di tipo Z. Il cavo e la spina non possono essere sostituiti o riparati; in caso di danneggiamento sostituire l'intero apparecchio.
5. **ATTENZIONE:** scollegare tutti gli apparecchi elettrici sommersi prima di eseguire qualsiasi tipo di manutenzione nell'acqua; nel caso in cui la spina di connessione o la presa di corrente fossero bagnate, disinserire l'interruttore generale prima di staccare il cavo d'alimentazione.
6. La pompa non deve mai funzionare senza acqua per evitare danni al motore.
7. La pompa può essere utilizzata in liquidi o in ambienti con temperatura non superiore ai 35° C / 95° F.
8. Non utilizzare l'apparecchio per scopi diversi da quelli per i quali è stato realizzato, come ad es. in stanze da bagno o applicazioni simili.
9. Evitare di far funzionare la pompa con liquidi corrosivi ed abrasivi.
10. Questo dispositivo non è progettato per essere utilizzato da persone (inclusi bambini) con ridotte capacità fisiche, sensoriali e mentali a meno che non siano accompagnati da persone responsabili per la loro sicurezza.
11. Per evitare che accidentali gocciolamenti bagnino la spina o la presa di corrente realizzare con il cavo un'ansa sotto il livello della presa (**Fig. A**).
12. Evitare di sollevare la pompa dal cavo di alimentazione durante l'installazione e la manutenzione.
13. La pompa può essere utilizzata solamente nelle applicazioni suddette.

AVVERTENZE

L'utilizzo in cantine, scantinati, piscine ecc. è consentito solamente se l'impianto elettrico è contraddistinto da misure di sicurezza secondo le normative internazionali vigenti.

La pompa è dotata di una maniglia per il trasporto, utilizzabile anche per calare la stessa in pozzi o scavi profondi per mezzo di una fune da fissare sul foro presente.

La pompa non deve essere trasportata, sollevata o fatta funzionare sospesa facendo uso del cavo di alimentazione. Eventuali danni al cavo di alimentazione, richiedono la sostituzione della pompa e non la riparazione del cavo.

È necessario quindi avvalersi di personale specializzato e qualificato, in possesso dei requisiti richiesti dalle normative vigenti. È opportuno avvalersi di personale qualificato anche per tutte le riparazioni elettriche che se mal eseguite potrebbero provocare danni ed infortuni.

La pompa non deve mai essere fatta funzionare a secco: c'è comunque una protezione elettronica che spegne la pompa in caso di funzionamento a secco. La ditta costruttrice non risponde del mal funzionamento della pompa se questa viene manomessa o modificata. Nel caso che il fondo del pozzetto, dove la pompa dovrà funzionare, presentasse notevole sporcizia, è opportuno prevedere un supporto dove appoggiare la pompa al fine di evitare intasamenti alla griglia di aspirazione.

EN

IT

DE

FR

ES

NL

PT

CZ

SK

RO

PL

SE

DK

NO

ULTRA 9000

COMPONENTI

Le pompe ULTRA 9000 sono state progettate per favorire la quasi totale scomponibilità dei suoi componenti, per facilitare un corretto uso, una semplice manutenzione e garantire una lunga durata nel tempo. Qui di seguito l'elenco delle singole parti e relativi pezzi di ricambio (**Fig. 1**) - esploso:

1. Corpo motore completamente sommersibile e isolato con resina bicomponente
2. Gruppo rotore con flangia, girante e cuscinetto;
3. Cuscinetto ceramico posteriore (Uncino di estrazione accessorio)
4. Guarnizioni in gomma
5. Voluta comprensiva di griglia regolabile in altezza tramite i 4 piedini;
6. Uscite intercambiabili: verticale e a 90°;
7. Blocco di sicurezza per le uscite;
8. Galleggiante per la funzione di ON-OFF automatica;
9. Coperchio galleggiante;
10. Portagomma gradinato.

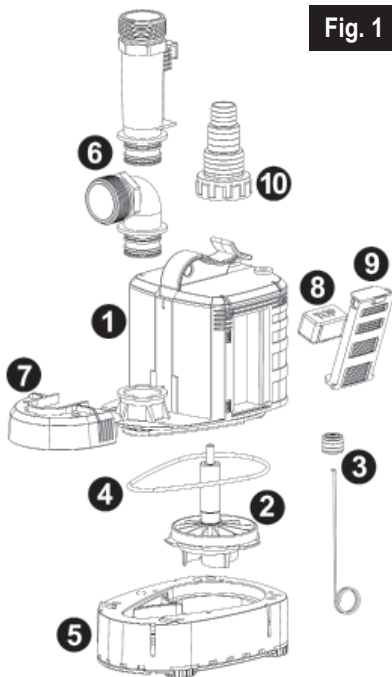


Fig. 1



VEDI PAGINA 9

INSTALLAZIONE - USO E REGOLAZIONE

Per l'installazione fisica della pompa è necessario procedere come segue:

- Svolgete il cavo di alimentazione della pompa in una zona dove non possa venire danneggiato in alcun modo.
- Prevedere l'eventuale fune, per il recupero della pompa, da fissare sul foro presente nel coperchio (**Fig. 2**).
- La pompa è preassemblata con l'uscita verticale: se si desidera utilizzare quella a 90°, seguire le indicazioni di (**Fig. 3**) Le uscite sono dotate di filetto maschio da 1" ½ GAS. E' possibile collegare il portagomma gradinato in dotazione o qualsiasi altro tipo di raccordo con quel filetto;
- Posizionare la pompa in una zona piana facilmente accessibile per le operazioni di manutenzione;
- Se la pompa non fosse stabile, si può agire regolando separatamente uno o più piedini (**Fig. 4**);
- Per aspirare l'acqua fino al livello minimo di 5 mm consentito dalla pompa, lasciare la griglia chiusa (**Fig. 5**);
- Se non si ha questa esigenza, si consiglia di regolare la griglia completamente aperta (**Fig. 6**) per ottenere le massime prestazioni della pompa;
- Posizionare il cursore su ON se si desidera far funzionare la pompa in continuo;
- Posizionare il cursore su AUTO se si desidera sfruttare l'interruttore di livello elettronico integrato; (**Fig. 7**)

IMPORTANTE

La scheda elettronica incorporata nella pompa è stata programmata per garantire 3 livelli di protezione:

- **Protezione in caso di rotore bloccato:** il blocco o il funzionamento anomalo del rotore potrebbe verificarsi a causa di sporco eccessivo. In questo caso la scheda elettronica interna attiverà 10 tentativi per far ripartire la pompa correttamente. Se la pompa dopo i 10 tentativi non dovesse ripartire automaticamente, si spegnerà. In questo caso per riavviare la pompa sarà necessario togliere la spina dell'alimentatore alla presa di corrente, aspettare circa 10 secondi prima di re-inserire la spina.
- **Protezione marcia a secco:** protezione del motore in caso di funzionamento senza acqua. La pompa si arresta qualora funzioni senz'acqua. La scheda elettronica farà 10 tentativi di ripartenza. Se ancora non ci fosse acqua sufficiente, la pompa andrà in stand-by. Per farla ripartire, togliere e rimettere la spina o spostare il cursore tra ON e AUTO o attendere che il livello dell'acqua faccia intervenire l'interruttore di livello elettronico integrato. Quando la pompa viene estratta dall'acqua, il motore si ferma

- **Protezione termica:** entra in funzione automaticamente per prevenire danni al motore quando il sensore incorporato nella pompa rileva un aumento consistente della temperatura ambiente.

ATTENZIONE! Non sottostimate la forza magnetica del gruppo rotore. Se accidentalmente si perde un po' la presa e l'alberino colpisce il cuscinetto posteriore in ceramica pura, il rischio di danneggiare lo stesso o il cuscinetto è molto alto. Un danno di questo tipo comporta costi elevati di riparazione.

MANUTENZIONE

Tutti gli interventi di riparazione e manutenzione si devono effettuare solo dopo aver scollegato la pompa dalla rete di alimentazione.

Si consiglia una pulizia periodica del galleggiante che pilota l'interruttore di livello elettronico.

Procedere come segue :

- Aprire il coperchio del galleggiante (**Fig. 8**);
- Estrarre il galleggiante (**Fig. 8a**), pulirlo sotto un getto d'acqua aiutandosi eventualmente con una spazzola morbida. Pulire anche la sede se dovesse essere sporca;
- Inserire nuovamente il galleggiante con la scritta TOP verso l'alto;
- Chiudere il coperchio del galleggiante.

Per la manutenzione ordinaria è sufficiente la pulizia del gruppo rotore. Per tale operazione si dovrà (**Fig. 9**):

- Svitare le quattro viti a croce accessibili dal fondo della griglia (**Fig. 9a**);
- Svitare le due viti a croce (**Fig. 9b**) accessibili rimuovendo il blocco di sicurezza delle uscite (**7**);
- Rimuovere la voluta e la griglia (**5**). Si potrà così estrarre il rotore completo di flangia (**2**); (**Fig. 10**)
- Pulire i componenti sotto un getto d'acqua aiutandosi eventualmente con una spazzola morbida. Rimontare i particolari eseguendo al contrario tutte le operazioni indicate sopra. Per la manutenzione straordinaria che preveda la sostituzione del gruppo rotore-girante (**2**) procedere come per il punto precedente salvo rimontare un gruppo rotore-girante (**2**) nuovo al posto di quello usurato.

AVVERTENZE PER IL CORRETTO SMALTIMENTO DEL PRODOTTO AI SENSI DELLA DIRETTIVA EUROPEA 2002/96/EC

Alla fine della sua vita utile, il prodotto non deve essere smaltito insieme ai rifiuti urbani. Può essere consegnato presso gli appositi centri di raccolta differenziata predisposti dalle amministrazioni comunali, oppure presso i rivenditori che forniscono questo servizio. Smaltire separatamente un elettrodomestico consente di evitare possibili conseguenze negative per l'ambiente e per la salute favorendo il recupero dei materiali ed un importante risparmio energetico.

GARANZIA

SICCE garantisce questo prodotto contro difetti di materiale e lavorazione per un periodo di cinque (3+2) anni dalla data di acquisto originale, ad eccezione del rotore della pompa, che è garantito per un periodo di sei (6) mesi. Questa garanzia è limitata alla riparazione o alla sostituzione (a discrezione di Sicce) del prodotto difettoso e non copre: perdita di pesci e/o piante nell'acquario, lesioni personali, danni da usura, danni da trasporto, o danni derivanti dall'uso improprio del prodotto. È necessario conservare la prova di acquisto originale per convalidare la garanzia. Qualsiasi garanzia qui contenuta deve essere eseguita in concomitanza e non in aggiunta a qualsiasi periodo minimo di garanzia stabilito dalla legge. I reclami in garanzia devono essere presentati al rivenditore presso il quale si è acquistato il prodotto. La mancanza di presentazione della prova d'acquisto allegata al reclamo, invaliderà il diritto alla garanzia. Collegandosi al sito www.sicce.com, nell'apposita sessione, si potrà richiedere assistenza, qualora non sia stato possibile contattare il rivenditore. Anche in questo caso la prova d'acquisto sarà requisito fondamentale per il corretto proseguo della procedura. Il richiedente deve ottenere una "Autorizzazione alla restituzione della merce" al momento della presentazione prima di inviare qualsiasi prodotto in garanzia o assistenza tecnica. L'acquirente sostiene i costi di spedizione da e verso il centro di assistenza o di riparazione.

ESCLUSIONI. Questa garanzia non copre quanto segue: * Danni derivanti da incidenti, trasporto, uso improprio, abuso, mancanza di ragionevole cura, uso del prodotto diverso dal normale o ordinario, utilizzo del prodotto in condizioni di lavoro anormale o qualsiasi altro guasto non derivante da difetti nei materiali o nella lavorazione. * Danni derivanti da modifiche, manomissioni o tentativi di riparazione da parte di soggetti diversi da Sicce o da un suo incaricato. * Trasferimento del prodotto a soggetto diverso dall'acquirente originale. * Utilizzo del prodotto con standard elettrico diverso (Volt/Hz) da quello indicato.

SCOPRI COME OTTENERE 5 ANNI DI GARANZIA SUL TUO PRODOTTO.

Per migliorare il servizio e la soddisfazione dei clienti, SICCE offre la possibilità di applicare 2 anni extra di garanzia semplicemente registrando il prodotto nel sito web www.sicce.com alla sessione "Supporto/Registrazione prodotto".

EN

IT

DE

FR

ES

NL

PT

CZ

SK

RO

PL

SE

DK

NO

ULTRA
9000

DANKE, dass Sie sich für die ULTRA 9000 entschieden haben, eine Tauchmotorpumpe entwickelt und gebaut für trübes Wasser (ohne Fasern). ULTRA 9000 kann besonders für den Hausgebrauch mit Dauer oder Automatikbetrieb über elektronischen Niveauschalter verwendet werden. Ihren Bereich: Entleeren von überschwemmten Kellern und Garagen, Auspumpen von Entwässerungsbrunnen, Auspumpen von Regenwasserfass oder von Sickerwasser aus Dachrinnen, Entleeren von Pools oder Poolabdeckungen dank der Möglichkeit von horizontalem Wasserausgang. Die ULTRA 9000 Pumpe ist auch für den Einsatz in Zierteiche besonders geeignet, Wasserfälle, Bachläufe, Koiteiche und in der Süßwasseraquaristik in Filtersysteme mit hoher Wassersäule (Unterschrankfilter, Filteranlagen im Keller usw.).

Wir empfehlen die folgenden Anweisungen sorgfältig zu lesen und aufzubewahren.

SICHERHEITSNORMEN

Die **ULTRA 9000** wurde unter Einhaltung aktueller nationaler und internationaler Sicherheitsstandards hergestellt.

1. Überprüfen Sie, ob die auf dem Pumpenetikett angegebene Spannung mit der Netzspannung übereinstimmt. Das Gerät muss über einen Differentialstromschalter (Sicherheitsschalter) mit Spannung versorgt werden, dessen Nennstrom kleiner oder gleich als 30 mA ist.
2. Die Pumpe kann teilweise oder vollständig eingetaucht verwendet werden.
3. Bevor Sie das Gerät an das Stromnetz anschließen, prüfen Sie, ob das Kabel und die Pumpe in irgendeiner Weise nicht beschädigt sind.
4. Die Pumpe verfügt über einen Z-Stromanschluss. Das Kabel und der Stecker können nicht ersetzt oder repariert werden, tauschen Sie im Schadensfall das gesamte Gerät aus.
5. **ACHTUNG:** Trennen Sie alle eingetauchten Elektrogeräte vom Netz bevor Sie Wartungsarbeiten im Wasser durchführen. Wenn der Anschlussstecker oder die Steckdose nass geworden sind, schalten Sie zuerst den Hauptschalter aus bevor Sie das Netzkabel abziehen.
6. Um Schäden am Motor zu vermeiden, darf die Pumpe niemals ohne Wasser funktionieren.
7. Die Pumpe kann in Flüssigkeiten oder in Umgebungen mit Temperaturen von max. 35 °C / 95 °F eingesetzt werden.
8. Benutzen Sie nicht das Gerät für andere Zwecke als Die, für die es entwickelt wurde, z.B. in Badezimmern oder ähnlichen Anwendungen.
9. Vermeiden Sie den Betrieb der Pumpe mit korrosiven und abrasiven Flüssigkeiten.
10. Dieses Gerät ist nicht für die Verwendung durch Personen (einschließlich Kinder) mit eingeschränkten körperlichen, sensorischen und geistigen Fähigkeiten bestimmt, es sei denn, sie werden von Personen begleitet, die für ihre Sicherheit verantwortlich sind.
11. Um zu verhindern, dass tropfendes Wasser den Stecker oder die Steckdose betrifft, bilden Sie mit dem Kabel eine Schlaufe unterhalb der Steckdosenhöhe (**Abb. A**).
12. Stromkabel während der Installation und Wartung nicht anheben.
13. Die Pumpe kann nur in den oben genannten Anwendungen verwendet werden.

WARNHINWEISE

Der Einsatz in Keller, Schwimmbad, usw. ist nur zulässig, wenn die elektrische Anlage über Sicherheitsmaßnahmen gemäß den geltenden internationalen Vorschriften verfügt.

Die Pumpe ist mit einem Tragegriff ausgestattet, mit dem sie auch in Brunnen oder tiefe Baugruben abgesenkt werden kann, indem ein Seil am vorhandenen Loch befestigt wird.

Die Pumpe darf nicht am Netzkabel gehalten, transportiert, angehoben oder hängend betrieben werden. Bei Schäden am Netzkabel ist ein kompletter Austausch der Pumpe und keine Reparatur des Kabels erforderlich.

Daher ist es notwendig, auf spezialisiertes und qualifiziertes Personal zurückzugreifen, das über die von den geltenden Vorschriften geforderten Voraussetzungen verfügt. Auch für alle elektrischen Reparaturen, die bei unsachgemäßer Ausführung zu Schäden und Verletzungen führen können, sollte qualifiziertes Personal eingesetzt werden.

Die Pumpe darf niemals trocken laufen, es gibt jedoch einen elektronischen Schutz, der die Pumpe bei Trockenlauf abschaltet. Der Hersteller haftet nicht für Fehlfunktionen der Pumpe, wenn diese manipuliert oder verändert wurde. Für den Fall, dass der Boden des Sumpfes, an dem die Pumpe betrieben werden soll, stark verschmutzt ist, empfehlen wir eine Unterlage für die Pumpe vorzusehen. Dies vermeidet eine frühe Verstopfung des Ansauggitters.

KOMPONENTEN

Die ULTRA 9000- Pumpe wurde so konzipiert, dass ihre Komponenten vollständig zerlegt werden können. Dies ermöglicht eine korrekte Anwendung, einfache Wartung und gewährleistet eine lange Lebensdauer. Unten finden Sie die Auflistung der Einzelteile und zugehörigen Ersatzteile (**Abb. 1**):

14. Motorblock, vollständig tauchfähig und in Zweikomponentenharz vergossen
15. Rotorbaugruppe mit Flansch, Laufrad und Lager
16. Hinteres Keramiklager (mit Zubehör- Extraktionshaken)
17. Gummidichtungen
18. Kreiselgehäuse inklusiv höhenverstellbares Gitter über die 4 FüÙe
19. Austauschbare AusläÙe: vertikal und 90°
20. Ausgangsdeckel
21. Schwimmer für automatische EIN / AUS- Funktion
22. Schwimmerdeckel
23. Schlauchanschluss mit Rippen

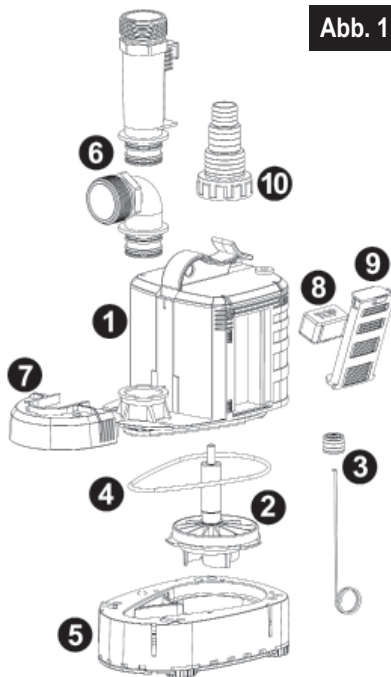


Abb. 1



SIEHE SEITE 9

INSTALLIERUNG – ANWENDUNG UND EINSTELLUNG

Für die Installierung der Pumpe ist wie folgt vorzugehen:

- Abwickeln Sie das Netzkabel der Pumpe an einer Stelle, wo es nicht beschädigt werden kann.
- Befestigen Sie ein Seil im Loch am Deckel (**Abb. 2**).
- Die Pumpe ist mit einem vertikalen Auslass vormontiert. Falls Sie den 90°-Auslass verwenden möchten, folgen Sie den Anweisungen in (**Abb. 3**). Die AusläÙe haben ein 1" ½ GAS-Außengewinde. Es ist möglich, den mitgelieferten Stufenschlauchanschluss oder jede andere Art von Anschlussstück mit diesem Gewinde anzuschließen.
- Stellen Sie die Pumpe auf einer ebenen Fläche, die für Wartungsarbeiten leicht zugänglich ist.
- Wenn die Pumpe nicht stabil steht, können Sie einen oder mehrere FüÙe separat einstellen (**Abb. 4**).
- Um das Wasser bis zur Mindesthöhe von 5 mm anzusaugen, sollte die Ansaugbasis komplett eingerastet sein (**Abb. 5**).
- Wenn diese Anforderung nicht nötig ist, empfehlen wir die Ansaugbasis vollständig zu öffnen (**Abb. 6**), damit die maximale Pumpenleistung erreicht werden kann.
- Positionieren Sie den Zeiger auf ON, wenn Sie die Pumpe auf Dauerlauf funktionieren sollte.
- Positionieren Sie den Zeiger auf AUTO, wenn Sie den integrierten Niveauschalter nutzen möchten (**Abb.7**).

WICHTIG

Die in der Pumpe integrierte Elektronik gewährleistet drei Schutzstufen:

- **Blockadeschutz:** Aufgrund übermäßiger Verschmutzung kann es zu einem blockierten oder abnormalen Rotorbetrieb kommen. Die interne Elektronik probiert 10 X die Pumpe neu zu starten. Wenn die Pumpe nach 10 Versuche immer noch nicht startet, wird sie komplett ausgeschaltet. Zum Neustart muss der Netzstecker aus der Steckdose gezogen werden, 10 Sekunden gewartet werden und dann den Stecker wieder einstecken.
- **Trockenlaufschutz:** Schützt der Motor gegen Betrieb ohne Wasser. Die Pumpe stoppt, wenn sie ohne Wasser läuft, auch wenn sie aus dem Wasser genommen wird. Die Elektronikplatine unternimmt 10 Neustartversuche. Sollte immer noch nicht genügend Wasser vorhanden sein, geht die Pumpe in den Standby-Modus. Um es neu zu starten, ziehen Sie den Netzstecker und stecken Sie es wieder ein oder bewegen Sie den Cursor zwischen EIN und AUTO oder warten Sie, bis der Wasserstand den integrierten

EN

IT

DE

FR

ES

NL

PT

CZ

SK

RO

PL

SE

DK

NO

ULTRA 9000

17

EN

elektronischen Niveauschalter auslöst.

- **Überhitzungsschutz:** Wird automatisch aktiviert, wenn der integrierter Temperatursensor einen erheblichen Anstieg der Umgebungstemperatur erkennt.

IT

ACHTUNG! Unterschätzen Sie nicht die Magnetkraft der Magnetrotors. Sollten Sie aus Versehen den Halt verlieren und die Welle auf das reine Keramiklager fallen lassen, ist die Gefahr einer Beschädigung des Lagers sehr hoch. Schäden dieser Art führen zu hohen Reparaturkosten.

DE

FR

WARTUNG

Alle Reparatur- und Wartungsarbeiten dürfen nur durchgeführt werden, nachdem die Pumpe vom Stromnetz komplett getrennt wurde.

ES

Wir empfehlen den Schwimmer, der den elektronischen Niveauschalter steuert, regelmäßig zu überprüfen / reinigen.

NL

Gehen Sie wie folgt vor :

PT

- Öffnen Sie den Schwimmerdeckel (**Abb. 8**).
- Nehmen Sie und reinigen Sie den Schwimmer (**Abb. 8a**) gegebenenfalls mit einer weichen Bürste unter fließendem Wasser. Reinigen Sie auch das Innere, falls es verschmutzt ist.
- Setzen Sie den Schwimmer wieder ein, die Beschriftung TOP sollte nach oben zeigen.
- Schließen Sie wieder den Schwimmerdeckel.

CZ

Für eine normale Wartung reicht die Reinigung der Rotoreinheit aus. Für diesen Vorgang gehen Sie wie folgt ab (**Abb. 9**):

SK

- Lösen Sie die vier Kreuzschrauben (**Abb. 9a**) die von der Unterseite des Gitters zugänglich sind.
- Lösen Sie die beiden Kreuzschrauben (**Abb. 9b**) die durch das Entfernen des Ausgangsdeckels (**7**) zugänglich sind.
- Kreiselgehäuse und Gitter (**5**) entfernen: Auf diese Weise ist es möglich, den Rotor mit Flansch (**2**) komplett herauszunehmen (**Abb. 10**).
- Reinigen Sie die Komponenten unter fließendem Wasser, ggf. mit einer weichen Bürste. Montieren Sie die Teile in umgekehrter Reihenfolge. Für außerordentliche Wartungsarbeiten, bei denen z.B. die Rotoreinheit (**2**) ausgetauscht werden muss, gehen Sie wie im vorherigen Punkt vor mit der Ausnahme, dass anstelle des abgenutzten Rotors (**2**) eine neue Rotoreinheit (**2**) eingebaut wird.

RO

PL

SE

DK

NO

ENTSORGUNG (NACH RL2002/96/EC)

Gerät darf nicht dem normalen Hausmüll beifügt werden, sondern muss fachgerecht entsorgt werden. Wichtig für Deutschland: Gerät über Ihre kommunale Entsorgungsstelle entsorgen. Entsorgung von Altgeräten: Wenn dieses Symbol eines durchgestrichenen Abfallimers auf einem Produkt angebracht ist, unterliegt dieses Produkt der europäischen Richtlinie 2002/96/EC. Alle Elektro- und Elektronik-Altgeräte müssen getrennt vom Hausmüll über die dafür staatlich vorgesehenen Stellen entsorgt werden. Mit der ordnungsgemäßen Entsorgung des alten Geräts vermeiden Sie Umweltschäden und eine Gefährdung der persönlichen Gesundheit. Weitere Informationen zur Entsorgung des alten Geräts erhalten Sie bei der Stadtverwaltung, beim Entsorgungsamtsamt oder in dem Geschäft, wo Sie das Produkt erworben haben.

GARANTIE

SICCE garantiert dem ursprünglichen Käufer dieses Produkt (siehe Ausschlüsse unten) für einen Zeitraum von fünf (3+2) Jahren ab dem ursprünglichen Kaufdatum gegen Material- und Verarbeitungsfehler, mit Ausnahme des Pumpenlaufrads, das für einen Zeitraum von sechs (6) Monaten garantiert wird. Diese Garantie beschränkt sich nur auf die Reparatur oder den Ersatz (nach Wahl von Sicce) des defekten Produkts und deckt nicht den Verlust von Gartenteichnleben, Personen- oder Sachschäden oder Schäden, die durch den Gebrauch des Produkts entstehen. Wir empfehlen, den Original-Kaufbeleg aufzubewahren, um die Garantie zu bestätigen. Garantieansprüche müssen bei dem Händler eingereicht werden, bei dem Sie das Produkt gekauft haben. Bei Nichtvorlage des der Reklamation beigefügten Kaufbelegs erlischt der Anspruch auf die Garantie. Durch die Verbindung mit der Website www.sicce.com, in der entsprechenden Sitzung, können Sie Hilfe anfordern, wenn es nicht möglich war, den Händler zu kontaktieren. Auch in diesem Fall ist der Kaufnachweis eine Grundvoraussetzung für die korrekte Durchführung des Rückgabeverfahrens. Die hierin enthaltene Garantie läuft parallel zu und nicht zusätzlich zu den gesetzlich vorgeschriebenen Mindestgarantiezeiten. Der Antragsteller muss eine "Warenrücksendegenehmigung" einholen, bevor er ein Produkt zur Gewährleistung oder zum technischen Service einsendet. Der Käufer trägt die Kosten für den Versand zum und vom Service-Center oder zur Reparaturstation.

AUSSCHLÜSSE. Von dieser Garantie ist Folgendes ausgeschlossen: *Schäden, die auf einen Unfall, unsachgemäßen Gebrauch, Missbrauch, Mangel an angemessener Sorgfalt, eine nicht normale oder gewöhnliche Verwendung des Produkts, die Verwendung des Projekts unter anormalen Arbeitsbedingungen oder andere Fehler, die nicht auf Material- oder Verarbeitungsfehler zurückzuführen sind, zurückzuführen sind.

ULTRA 9000

*Schäden, die durch Modifikation, Manipulation oder Reparaturversuche durch andere Personen als Sicce oder deren Beauftragte entstanden sind. * Weitergabe des Produkts an eine andere Person als den ursprünglichen Käufer. * Anschluss des Produkts an einen Stromanschluss, der nicht in der Verpackung angegeben ist; der ursprüngliche Käufer ist für die Bereitstellung angemessener elektrischer Einrichtungen verantwortlich.“

FINDEN SIE HERAUS, WIE SIE 5 JAHRE GARANTIE FÜR IHR PRODUKT BEKOMMEN

Um unseren Service und die Zufriedenheit unserer Kunden zu verbessern, bietet Sicce die Möglichkeit, die Garantie um 2 Jahre (insgesamt 5 Jahre) zu verlängern, indem Sie Ihr Produkt einfach auf unserer Website www.sicce.com, unter "Unterstützung/Produktregistrierung" registrieren.

EN

IT

DE

FR

ES

NL

PT

CZ

SK

RO

PL

SE

DK

NO

ULTRA 9000

EN

IT

DE

FR

ES

NL

PT

CZ

SK

RO

PL

SE

DK

NO

ULTRA 9000

Cher client,

MERCI d'avoir choisi ULTRA 9000, une pompe immergeable conçue pour le transport des eaux troubles et sans fibres. ULTRA 9000 s'utilise principalement en usage domestique avec un fonctionnement continu ou automatique via le flotteur de niveau intégré, pour vidanger des sous-sols et des garages inondables, pour pomper l'eau des puits de drainage, des puits de récupération d'eau de pluie ou des infiltrations de gouttières, pour vider des piscines ou des couvertures de piscines grâce aussi à la possibilité d'utiliser la pompe avec un raccord de sortie horizontal. La pompe ULTRA 9000 est particulièrement conçu pour une utilisation en continu dans les bassins d'ornement, les fontaines, les cascades artificielles, les applications hydroponiques, les bassins de carpes Koï et pour les systèmes d'aquarium en eau douce nécessitant une colonne d'eau élevée (filtres sous aquariums, systèmes de filtration au sous-sol, etc.).

Dans le but d'utiliser correctement votre pompe, nous vous conseillons de lire attentivement et de bien conserver cette notice.

NORMES DE SÉCURITÉ

ULTRA 9000 est produite conformément aux normes de sécurité nationales et internationales en vigueur. Vérifier que la tension indiquée sur l'étiquette de la pompe corresponde à la tension du secteur. La pompe doit être alimentée par un disjoncteur différentiel inférieur ou égal à 30mA.

1. Vérifier que la tension indiquée sur l'étiquette de la pompe corresponde à la tension du secteur. La pompe doit être alimentée par un disjoncteur différentiel inférieur ou égal à 30mA.
2. La pompe peut être utilisée partiellement ou complètement immergée.
3. Avant de raccorder la pompe sur le secteur, vérifiez que le câble et la pompe ne soient pas endommagés.
4. La pompe est construite avec une connexion électrique de type Z. Le cordon et la prise ne peuvent pas être remplacés ou réparés. En cas de dommages, remplacez l'ensemble de la pompe.
5. **ATTENTION:** débranchez tous les appareils électriques immergés avant d'effectuer tout type d'entretien directement dans l'eau. Si la fiche ou la prise de connexion devaient être mouillées, coupez le disjoncteur principal avant de débrancher le câble d'alimentation.
6. La pompe ne doit jamais fonctionner sans eau afin d'éviter d'endommager le moteur.
7. La pompe peut être utilisée dans des liquides ou des environnements dont la température ne dépasse pas 35° C / 95° F.
8. N'utilisez pas la pompe à des fins autres que celles pour lesquelles elle a été conçue, par ex. dans des salles de bains ou applications similaires.
9. Éviter le fonctionnement de la pompe avec des liquides corrosifs et abrasifs.
10. Cette pompe n'est pas conçue pour être utilisée par des personnes (y compris les enfants) aux capacités physiques, sensorielles et mentales réduites, sauf si elles sont accompagnées de personnes responsables de leur sécurité.
11. Pour éviter que des gouttes d'eau accidentelles ne mouillent la fiche ou la prise, effectuez une boucle avec le câble en-dessous du niveau de la prise (**Fig. A**).
12. Évitez la suspension de la pompe par le câble d'alimentation durant l'installation et la maintenance.
13. La pompe ne peut être utilisée que dans les applications ci-dessus.

AVERTISSEMENTS

L'utilisation dans les caves, sous-sols, piscines, etc. n'est autorisée que si l'installation électrique possède les conditions de sécurité conformes aux réglementations internationales en vigueur.

La pompe est équipée d'une poignée de transport qui peut également servir à fixer une cordelette, pour introduire la pompe dans un puits ou dans des excavations profondes.

La pompe ne doit pas être transportée, soulevée ou utilisée suspendue à l'aide du câble d'alimentation. Tout dommage au cordon d'alimentation nécessite le remplacement de la pompe, le câble ne peut pas être remplacé. L'installation doit nécessairement faire appel à un personnel spécialisé et qualifié en possession des conditions requises par la réglementation en vigueur. Un personnel qualifié doit également être utilisé pour toutes les réparations électriques qui, effectuées de manière incorrecte, pourraient causer des dommages et des blessures.

La pompe ne doit jamais fonctionner à sec. Il existe cependant une protection électronique arrêtant la pompe lors d'un fonctionnement sans eau. Le fabricant décline toute responsabilité en cas de dysfonctionnement de la pompe si celle-ci est altérée ou modifiée. Par exemple et en cas de fort encrassement du fond du puisard, il est conseillé de prévoir un support sur lequel repose la pompe, évitant ainsi le colmatage de la grille d'aspiration.

LES DIFFERENTS COMPOSANTS

La pompe ULTRA 9000 a été conçue de telle manière à pouvoir démonter facilement ses composants, faciliter son utilisation et son entretien tout en assurant une grande longévité. Vous trouverez ci-dessous la liste des pièces individuelles et des pièces de rechange associées (**Fig. 1**)

1. Bloc moteur immergeable et isolé dans une résine bi-composants
2. Ensemble rotor avec bride, turbine et palier
3. Palier céramique arrière (avec crochet d'extraction en accessoire)
4. Joints toriques
5. Corps de pompe avec grille réglable en hauteur par 4 pieds
6. Sorties interchangeable verticale et 90°
7. Cache de sortie
8. Flotteur de niveau, fonction ON-OFF automatique
9. Couvercle du flotteur
10. Raccord de tuyau cannelé

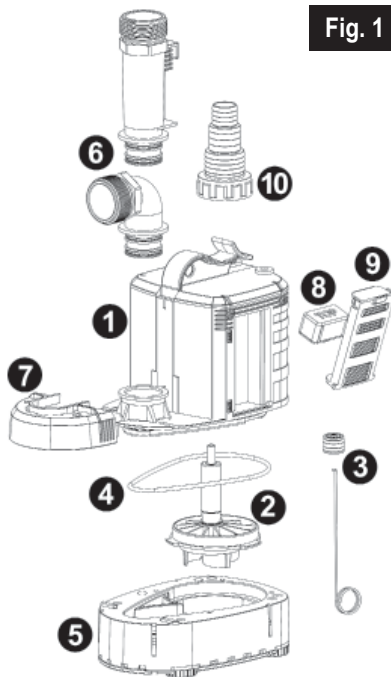


Fig. 1



VOIR PAGE 9

INSTALLATION - UTILISATION ET RÉGLAGE

Pour une bonne installation de la pompe, il est nécessaire de procéder comme suit :

- Déroulez le cordon d'alimentation à un endroit où il ne peut être endommagé.
- Prévoyez éventuellement une cordelette afin de suspendre / récupérer la pompe avec une fixation dans le trou du couvercle (**Fig. 2**).
- La pompe est montée d'origine avec une sortie d'eau verticale : si vous souhaitez utiliser la sortie à 90°, veuillez suivre les instructions (**Fig. 3**). Les sorties possèdent un filetage mâle 1" ½ GAZ, il est possible de connecter le raccord de tuyau étagé fourni ou tout autre type de raccord ayant ce type de filetage.
- Placez la pompe dans une zone plane et facilement accessible pour les opérations de maintenance.
- Si la pompe n'est pas horizontale, le réglage d'un ou de plusieurs pieds est possible (**Fig. 4**).
- Pour aspirer de l'eau jusqu'au niveau minimum de 5 mm autorisé par la pompe, veuillez laisser la grille en position fermée (**Fig. 5**).
- Si ce n'est pas nécessaire, il est conseillé d'ajuster la grille en position ouverte (**Fig. 6**) afin d'obtenir les performances maximales de la pompe.
- Positionnez le curseur sur ON si vous souhaitez que la pompe fonctionne en continu.
- Positionnez le curseur sur AUTO si vous souhaitez utiliser le flotteur électronique intégré (**Fig. 7**).

IMPORTANT

La régulation électronique intégrée à la pompe a été conçue afin de garantir 3 niveaux de protection :

- **Protection rotor bloqué** : Un rotor bloqué ou son fonctionnement anormal pourraient se produire en cas d'encrassement excessif. Dans ce cas, la régulation électronique activera 10 essais de redémarrage. Si après 10 tentatives la pompe ne démarre pas automatiquement, elle restera définitivement hors service. Dans ce cas et afin de redémarrer la pompe, il sera nécessaire de débrancher la fiche d'alimentation, attendre environ 10 secondes puis rebrancher.
- **Protection marche à sec** : il s'agit d'une protection du moteur en cas de fonctionnement sans eau. Le moteur de la pompe s'arrête si elle fonctionne sans eau. La pompe fera 10 tentatives de redémarrage. S'il n'y aura pas d'eau pendant ces tentatives, la pompe se mettra en stand-by. Pour la redémarrer, débranchez et rebranchez le câble d'alimentation ou déplacez le curseur entre ON et AUTO ou attendez que le niveau d'eau déclenche le commutateur de niveau électronique intégré. Lorsque la pompe est sortie de l'eau, le moteur s'arrête
- **Protection thermique** : la pompe s'arrête automatiquement lorsque son capteur intégré détecte une élévation importante de la température.

EN

IT

DE

FR

ES

NL

PT

CZ

SK

RO

PL

SE

DK

NO

ULTRA 9000

EN

IT

DE

FR

ES

NL

PT

CZ

SK

RO

PL

SE

DK

NO

ULTRA 9000

ATTENTION ! Ne sous-estimez pas la puissance magnétique de l'ensemble rotor. Si vous relâchez accidentellement le rotor dans le moteur et que son axe heurte le palier arrière en céramique, il y aura un risque élevé d'endommagement de l'axe ou du palier. Ce type de dommage entraîne des coûts de réparation élevés.

ENTRETIEN

Toutes les opérations de réparation et d'entretien doivent être effectuées uniquement après avoir débranché la pompe de son alimentation électrique.

Un nettoyage périodique du flotteur de l'interrupteur électronique est recommandé.

Procédez comme suit :

- Ouvrez le couvercle du flotteur (**Fig. 8**).
- Retirez le flotteur (**Fig. 8a**) et nettoyez sous l'eau en frottant à l'aide d'une brosse douce si nécessaire. Nettoyez le siège interne si nécessaire.
- Insérez le flotteur avec l'inscription TOP vers le haut.
- Fermez le couvercle du flotteur.

Comme entretien de routine, un simple nettoyage du rotor est souvent suffisant. Pour cette opération (**Fig. 9**) :

- Dévissez les quatre vis cruciformes accessibles depuis le bas de la grille d'aspiration (**Fig. 9a**)
- Dévissez les deux vis cruciformes (**Fig. 9b**) accessibles en retirant le cache de sortie (**7**).
- i- Déposez le corps de pompe et la grille (**5**). De ce fait, il sera possible d'extraire le rotor complet et sa bride (**2**) (**Fig. 10**).
- Nettoyez les pièces sous l'eau à l'aide d'une brosse douce si nécessaire. Remontez les pièces en effectuant toutes les opérations dans l'ordre inverse de démontage. Pour un entretien particulier impliquant le remplacement de l'ensemble rotor-turbine (**2**) procédez comme au point précédent et montez un nouvel ensemble rotor-turbine (**2**) à la place de l'ancien.

INSTRUCTIONS POUR LA DÉCHARGE CORRECTE DU PRODUIT SELON L'EU 2002/96/EC DIRECTIF

Une fois utilisé ou cassé, le produit ne doit pas être jeté dans les poubelles domestiques mais dans les conteneurs spécialement prévus pour ce type de produits. Il peut être livré aux centres de rebut électriques spécifiques de collection ou aux distributeurs qui donnent ce service. Décharger séparément un outil électrique évite des conséquences négatives pour l'environnement et pour la santé et permet de régénérer les matériaux pour avoir une grande économie d'énergie et des ressources naturelles.

GARANTIE

SICCE garantit ce produit (voir Exclusions ci-dessous) à l'acheteur d'origine contre les défauts de matériaux et de fabrication pendant une période de cinq (5) ans à compter de la date d'achat d'origine, à l'exception de la turbine ou de la pompe, qui est garantie pour une période de six (6) mois. Cette garantie est limitée à la réparation ou au remplacement (au choix de Sicce) du produit défectueux uniquement et ne couvre pas la perte des plantes et poissons du bassin, les blessures corporelles, la perte de propriété ou les dommages résultant de l'utilisation du produit. Nous vous recommandons de conserver la preuve d'achat originale pour valider la garantie. Les réclamations de garantie doivent être soumises au détaillant où vous avez acheté le produit. Ne pas présenter une preuve d'achat jointe à la réclamation invalidera le droit à la garantie. En vous connectant au site www.sicce.com, dans la session appropriée, vous pouvez demander une assistance s'il n'a pas été possible de contacter le revendeur. Dans ce cas également, la preuve d'achat sera une exigence fondamentale pour la bonne exécution de la procédure de retour. Toute garantie dans le présent document fonctionnera en même temps que les périodes de garantie minimales établies par la loi applicable et pas au-delà. Le demandeur doit obtenir une « Autorisation de retour de la marchandise » au moment du dépôt avant d'envoyer tout produit pour la garantie ou le service technique. Les frais d'expédition vers et depuis le centre de service ou la station de réparation sont à la charge de l'acheteur.

EXCLUSIONS. Cette garantie ne couvre pas les éléments suivants : *Les dommages résultant d'un accident, d'une mauvaise utilisation, d'un abus, d'un manque de soin raisonnable, d'une utilisation du produit autre que normale ou ordinaire, de l'utilisation du produit dans des conditions de travail anormales ou de toute autre défaillance ne résultant pas de défauts de matériaux ou de fabrication. *Dommages résultant d'une modification, d'une altération ou d'une tentative de réparation par une personne autre que Sicce ou son mandataire. *Transfert du produit à une personne autre que l'acheteur initial. *Soumettre le produit à un fonctionnement électrique non spécifié dans l'emballage ; l'acheteur initial est responsable de fournir des installations électriques adéquates ».

DÉCOUVREZ COMMENT GARANTIR VOTRE PRODUIT PENDANT 5 ANS

Pour améliorer notre service et la satisfaction de nos clients, Sicce offre la possibilité d'ajouter une extension de 2 ans (5 ans au total) à la garantie en enregistrant simplement votre produit sur notre site Web www.sicce.com, dans « Support/ enregistrement du produit ».

Estimado cliente:

GRACIAS por elegir ULTRA 9000, una bomba de tipo sumergible diseñada y construida para bombear aguas turbias sin fibras. ULTRA 9000 se puede utilizar principalmente para uso doméstico con funcionamiento continuo o automático a través del interruptor de nivel electrónico integrado, para el drenaje de sótanos y garajes sujetos a inundaciones, para el bombeo de pozos de drenaje, para el bombeo de pozos de recogida de aguas pluviales o de infiltraciones procedentes de canaletas, para vaciar piscinas o cubiertas de piscinas con la ayuda del empalme de aspiración horizontal suministrado. Si se utiliza de forma continua, ULTRA 9000 también es ideal para estanques, fuentes, cascadas, aplicaciones hidropónicas y acuarios.

Para utilizar correctamente su bomba, le recomendamos que lea atentamente y guarde las siguientes instrucciones.

NORMAS DE SEGURIDAD

ULTRA 9000 está conforme con las normas de seguridad nacionales e internacionales.

Atención: controle el voltaje de la bomba que aparece en la etiqueta y asegúrese que sea igual de la tensión eléctrica. Se aconseja que la bomba, como todos los demás dispositivos eléctricos, esté protegido en su origen, por un interruptor especial diferencial (salvavidas) con corriente de intervención no superior a 30mA.

1. **Atención:** controle el voltaje de la bomba que aparece en la etiqueta y asegúrese que sea igual de la tensión eléctrica. Se aconseja que la bomba, como todos los demás dispositivos eléctricos, esté protegido en su origen, por un interruptor especial diferencial (salvavidas) con corriente de intervención no superior a 30mA.
2. La bomba puede funcionar solamente en modalidad sumergida.
3. Antes de poner en funcionamiento el producto, verificar la integridad de todas sus partes y sobre todo comprobar que el cable y la bomba no estén dañados de ninguna manera.
4. El cable de alimentación no puede ser reparado ni sustituido (Cable con conexión Z), por lo que en caso de que se estropee, habrá que demoler el aparato.
5. **ATENCIÓN:** Antes de intervenir en la bomba, hay que desconectar siempre la alimentación. Para reducir los riesgos de shock accidentales, mantener secas todas las conexiones.
6. No accionar la bomba si no está completamente sumergida en el agua .
7. La bomba no puede funcionar en seco o con líquidos con temperatura superior a 35° C / 95° F.
8. No utilice la bomba para fines distintos de aquellos para los que fue hecho, por ejemplo, en cuartos de baño o aplicaciones similares.
9. Evitar el utilizo de la bomba en líquidos corrosivos y abrasivos.
10. El aparato no puede ser utilizado por personas con discapacidad y por niños sin vigilancia.
11. Al conectar la bomba en la toma de corriente, el punto más bajo del cable tiene que encontrarse por debajo de la toma de corriente, al fin de evitar que gotas de agua presentes en el cable puedan entrar accidentalmente en el enchufe (**Fig. A**).
12. No cortar el cable de alimentación y no tirar del mismo para quitar la alimentación.
13. La bomba sólo se puede utilizar en las aplicaciones antes mencionadas.

ADVERTENCIAS

El uso en sótanos, subterráneos, piscinas, etc., está permitido solo si la instalación eléctrica cuenta con medidas de seguridad conformes con la normativa internacional vigente.

La bomba está equipada con un asa de transporte, que también se puede utilizar para bajarla a pozos o excavaciones profundas por medio de un cable que se fija en el orificio presente.

La bomba no se debe transportar, elevar o utilizar suspendida, haciendo uso del cable de alimentación. Cualquier daño en el cable de alimentación requiere la sustitución de la bomba y no la reparación del cable.

Por lo tanto, es necesario contar con personal especializado y cualificado, que cumpla con los requisitos exigidos por la normativa vigente. Es conveniente recurrir a personal cualificado también para todas las reparaciones eléctricas que, si se realizan mal, podrían provocar daños y accidentes.

La bomba nunca debe funcionar en seco: sin embargo, hay una protección electrónica que apaga la bomba en caso de funcionamiento en seco. El fabricante no se hace responsable del mal funcionamiento de la bomba si esta es manipulada o modificada. En el caso de que el fondo del sumidero, donde la bomba debe funcionar, tenga una suciedad considerable, es aconsejable proporcionar un soporte donde apoyar la bomba para evitar obstrucciones en la rejilla de aspiración.

EN

IT

DE

FR

ES

NL

PT

CZ

SK

RO

PL

SE

DK

NO

ULTRA 9000

23

EN

IT

DE

FR

ES

NL

PT

CZ

SK

RO

PL

SE

DK

NO

ULTRA 9000

COMPONENTES

Las bombas ULTRA 9000 han sido diseñadas para favorecer la casi total descomposición de sus componentes, para facilitar un uso correcto, un mantenimiento sencillo y garantizar una larga duración en el tiempo. A continuación se muestra la lista de las piezas individuales y las piezas de repuesto correspondientes (**Fig. 1**) - despiece:

1. Cuerpo del motor completamente sumergible y aislado con resina bicomponente
2. Grupo rotor con brida, rodete y rodamiento;
3. Rodamiento cerámico trasero (gancho de extracción del accesorio) falta en el dibujo
4. Juntas de goma falta en el dibujo
5. Voluta con rejilla de altura regulable mediante los 4 pies;
6. Salidas intercambiables: vertical y a 90°;
7. Bloqueo de seguridad para las salidas;
8. Flotador para la función de ON-OFF automática;
9. Tapa flotador;
10. Portagoma escalonado. Falta en el dibujo



Fig. 1



VER PÁGINA 9

INSTALACIÓN - USO Y REGULACIÓN

Para la instalación física de la bomba es necesario proceder de la siguiente manera:

- Desenrolle el cable de alimentación de la bomba en una zona donde no pueda dañarse de ninguna manera.
- Proporcione el posible cable, para la recuperación de la bomba, a fijar en el orificio presente en la tapa (**Fig. 2**).
- La bomba está premontada con la salida vertical: si se desea utilizar la de 90°, siga las indicaciones de la (**Fig. 3**). Las salidas cuentan con rosca macho de 1" ½ GAS. Es posible conectar el portagoma escalonado que se suministra o cualquier otro tipo de empalme con esa rosca.
- Coloque la bomba en una zona plana de fácil acceso para las operaciones de mantenimiento.
- Si la bomba no fuera estable, se puede actuar regulando por separado uno o varios pies (**Fig. 4**).
- Para aspirar el agua hasta el nivel mínimo de 5 mm permitido por la bomba, deje la rejilla cerrada (**Fig. 5**).
- Si no se tiene esta exigencia, se aconseja regular la rejilla completamente abierta (**Fig. 6**) para obtener las máximas prestaciones de la bomba.
- Coloque el cursor en ON si desea que la bomba funcione de forma continua.
- Coloque el cursor en AUTO si desea usar el interruptor de nivel electrónico integrado (**Fig. 7**).

IMPORTANTE

La placa electrónica integrada en la bomba ha sido programada para garantizar 3 niveles de protección:

- **Protección en caso de rotor bloqueado:** el rotor puede bloquearse o funcionar de forma anómala debido al exceso de suciedad. En este caso, la placa electrónica interna activará 10 intentos para reiniciar la bomba correctamente. Si la bomba, después de los 10 intentos, no se reinicia automáticamente, se apagará. En este caso, para reiniciar la bomba será necesario quitar el enchufe de la fuente de alimentación a la toma de corriente y esperar unos 10 segundos antes de volver a insertar el enchufe.
- **Protección de marcha en seco:** protección del motor en caso de funcionamiento sin agua. La bomba se detiene cuando funciona sin agua. La placa electrónica hará 10 intentos de reinicio. Si todavía no hay suficiente agua, la bomba se pondrá en modo de espera. Para ponerla en marcha, quite y vuelva a conectar el enchufe o mueva el cursor entre ON y AUTO, o espere a que el nivel del agua haga intervenir el interruptor de nivel electrónico integrado. Cuando la bomba se extrae del agua, el motor se detiene.
- **Protección térmica:** se activa automáticamente para evitar daños en el motor cuando el sensor incorporado en la bomba detecta un aumento sustancial de la temperatura ambiente.

¡ATENCIÓN! No subestime la fuerza magnética del grupo rotor. Si accidentalmente se pierde un poco el agarre

y el eje golpea el rodamiento trasero de cerámica pura, el riesgo de dañar el mismo o el rodamiento es muy alto. Un daño de este tipo implica elevados costes de reparación.

MANTENIMIENTO

Todas las operaciones de reparación y mantenimiento deben realizarse solo después de desconectar la bomba de la red de alimentación.

Se recomienda una limpieza periódica del flotador que acciona el interruptor de nivel electrónico.

Proceda de la siguiente manera:

- Abra la tapa del flotador (**Fig. 8**)
- Extraiga el flotador (**Fig. 8a**), límpielo bajo un chorro de agua con ayuda de un cepillo suave, si es necesario. Limpie también el asiento si está sucio.
- Vuelva a insertar el flotador con la palabra TOP hacia arriba.
- Cierre la tapa del flotador.

Para el mantenimiento ordinario es suficiente la limpieza del grupo rotor. Para esta operación se deberá (**Fig. 9**):

- Desenroscar los cuatro tornillos en cruz accesibles desde el fondo de la rejilla (**Fig. 9a**).
- Desenroscar los dos tornillos en cruz (**Fig. 9b**) accesibles quitando el bloqueo de seguridad de las salidas (7).
- Retirar la voluta y la rejilla (5). De este modo se podrá extraer el rotor con la brida (2); (**Fig. 10**).
- Limpie los componentes bajo un chorro de agua con ayuda de un cepillo suave si es necesario. Vuelva a montar los componentes realizando a la inversa todas las operaciones indicadas anteriormente. Para el mantenimiento extraordinario que prevea la sustitución del grupo rotor-rodete (2), proceda como en el punto anterior, salvo volver a montar un grupo rotor-rodete (2) nuevo en el lugar del grupo desgastado.

INSTRUCCIONES PARA DESHACERSE DEL PRODUCTO DE ACUERDO CON LA DIRECTIVA EUROPEA 2002/96/EC

Si en un producto aparece el símbolo de un contenedor de basura tachado, significa que éste se acoge a la Directiva 2002/96/EC. Todos los aparatos eléctricos o electrónicos se deben desechar de forma distinta al servicio municipal de recogida de basuras, a través de los puntos de recogida designados por el gobierno o las autoridades locales. La correcta recogida y tratamiento de los dispositivos inservibles contribuye a evitar riesgos potenciales para el medio ambiente y la salud pública. Para obtener más información sobre cómo deshacerse de sus aparatos eléctricos y electrónicos viejos, póngase en contacto con su ayuntamiento, el servicio de recogida de basuras o el establecimiento donde adquirió el producto.

GARANTÍA

SICCE garantiza este producto (ver Exclusiones más abajo) al comprador original contra defectos de materiales y mano de obra durante un período de cinco (3+2) años a partir de la fecha de compra original, excepto el impulsor de la bomba, que está en garantía por un período de seis (6) meses. Esta garantía se limita a la reparación o sustitución (a elección de Sicce) del producto defectuoso y no cubre la pérdida de vida del estanque, las lesiones personales, la pérdida de propiedad o los daños derivados del uso del producto. Se recomienda conservar el comprobante de compra original para validar la garantía. Las reclamaciones de garantía deben presentarse en el establecimiento donde se compró el producto. Si no se presenta el comprobante de compra adjunto a la reclamación, se invalidará el derecho a la garantía. Conectándose a la página web www.sicce.com, en la sesión correspondiente, podrá solicitar asistencia si no ha sido posible contactar con el distribuidor. También en este caso la prueba de compra será un requisito fundamental para la correcta ejecución del procedimiento de devolución. El plazo de la presente garantía será simultáneo, y no adicional, a los plazos mínimos de garantía establecidos por la legislación vigente. El reclamante deberá obtener una "Autorización de Devolución de Mercancía" en el momento de la presentación antes de enviar cualquier producto para su garantía o servicio técnico. El comprador corre con los gastos de envío de ida y vuelta al centro de servicio o estación de reparación.

EXCLUSIONES. Esta garantía no cubre lo siguiente: *Daños resultantes de accidentes, mal uso, abuso, falta de cuidado razonable, uso del producto que no sea el normal u ordinario, uso del proyecto en condiciones de trabajo anormales o cualquier otro fallo que no sea resultado de defectos en los materiales o en la mano de obra. *Daños resultantes de la modificación, manipulación o intento de reparación por parte de cualquier persona que no sea Sicce o su representante. * La transferencia del producto a alguien que no sea el comprador original. * La exposición del producto a un servicio eléctrico no especificado en el embalaje; el comprador original es responsable de proporcionar las instalaciones eléctricas adecuadas".

SAIBA COMO OBTENER UNA GARANTÍA DE SU PRODUCTO POR 5 AÑOS

Para melhorar o nosso serviço e a satisfação dos nossos clientes, a Sicce oferece a possibilidade de adicionar uma extensão de 2 anos (total de 5 anos) à garantia, bastando registrar o seu produto no nosso site www.sicce.com, em "Support/ product's registration".

EN

IT

DE

FR

ES

NL

PT

CZ

SK

RO

PL

SE

DK

NO

ULTRA 9000

25

EN

IT

DE

FR

ES

NL

PT

CZ

SK

RO

PL

SE

DK

NO

ULTRA 9000

Beste klant

BEDANKT dat u voor de ULTRA 9000 heeft gekozen, het is een pomp die is ontworpen en gebouwd om troebel water zonder deeltjes te verpompen. ULTRA 9000 kan voornamelijk worden gebruikt voor huishoudelijk gebruik met continue of automatische werking via de geïntegreerde elektronische niveauschakelaar, voor het leegpompen van ondergelopen kelders en garages, voor het leegpompen van drainageputten, voor het leegpompen van regenwateropvangputten of infiltraties uit dakgoten, voor het leegpompen van zwembaden of zwembadafdekkingen met behulp van de meegeleverde horizontale aanzuigfitting. Bij continu gebruik is ULTRA 9000 ook ideaal voor vijvers, fontein, watervallen, hydrocultuurtoepassingen en aquaria.

Voor uw veiligheid en voor een correct gebruik van uw drenagepomp adviseren wij u de onderstaande instructies aandachtig door te lezen.

ALGEMENE VEILIGHEIDSINSTRUCTIE

ULTRA 9000 met zijn vele gebruiksmogelijkheden is conform de nationale en internationale veiligheidsnormen.

1. Controleer of de op het etiket van de pomp aangeduide spanning overeenkomt met de spanning van het net. Het apparaat dient gevoed te worden door middel van een differentiële schakelaar (levenbeschermers) waarvan de nominale stroom lager of gelijk is aan 30mA.
2. Deze pompen kunnen alleen in het water opgesteld worden.
3. Alvorens het apparaat op het net aan te sluiten, controleer of de kabel en/of de pomp beschadigd zijn.
4. De pomp is vervaardigd met een verbinding van het type Z. De kabel en de stekker kunnen niet vervangen of gerepareerd worden; Bij beschadiging dient het hele apparaat vervangen te worden.
5. **LET OP !** haal de stekker van alle elektrische producten uit het stopcontact voordat u onderhoud gaat uitvoeren of uw handen in het water steekt; als de stekker of de kabel nat zijn, schakel dan eerst de hoofdschakelaar uit voordat u de stekker uit het stopcontact haalt;
6. De pomp mag niet in werking worden gesteld zonder water om schade aan de motor te voorkomen.
7. De pomp mag niet worden gebruikt in vloeistoffen of in een omgeving met een temperatuur hoger dan 35° C / 95° F).
8. Gebruik de pomp niet voor andere doeleinden dan waarvoor de pomp is ontworpen zoals in badkamers of dergelijke toepassingen;
9. Laat het apparaat niet functioneren met uitbijtende- of wegvretendmiddelen.
10. Dit apparaat is niet ontworpen om gebruikt te worden door personen (inclusief kinderen) met gereduceerde fysieke, zinnelijke en geestelijke capaciteiten, tenzij deze begeleid zijn door verantwoordelijke personen die zorg dragen voor hun veiligheid.
11. Om te voorkomen dat druppels de stekker of het stopcontact nat maken, realiseer met de kabel een voorwensel onder het niveau van het stopcontact (**Afb. A**).
12. De pomp niet optillen middels de voedingskabel tijdens de installatie en het onderhoud.
13. De pomp moet alleen gebruikt worden voor de hierboven genoemde applicaties.

WAARSCHUWINGEN

Gebruik in kelders, zwembaden, enz. is alleen toegestaan als de elektrische installatie wordt gekenmerkt door veiligheidsmaatregelen volgens de geldende internationale voorschriften.

De pomp is voorzien van een draagbeugel, waarmee deze ook kan worden neergelaten in putten of diepe uitgravingen door middel van een touw dat aan het aanwezige gat wordt vastgemaakt.

De pomp mag niet worden getransporteerd, opgetild of gehangen aan het netsnoer. Iedere beschadiging van het netsnoer vereist vervanging van de pomp en niet alleen de reparatie van het snoer.

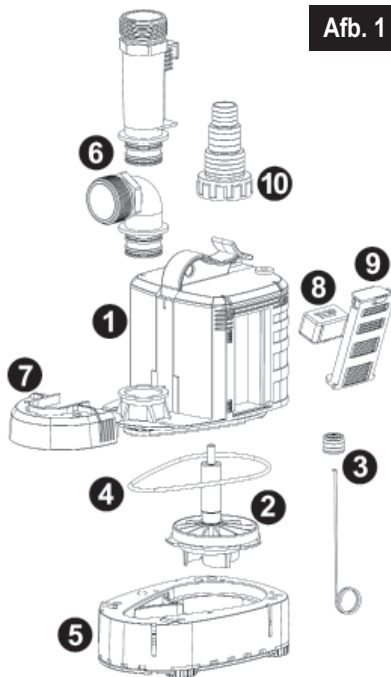
Het is daarom noodzakelijk om gebruik te maken van gespecialiseerd en gekwalificeerd personeel, in het bezit van de benodigheden vereist door de huidige regelgeving. Gekwalificeerd personeel moet ook worden gebruikt voor alle elektrische reparaties die, indien onjuist uitgevoerd, schade en letsel kunnen veroorzaken.

De pomp mag nooit drooglopen: er is wel een elektronische beveiliging die de pomp uitschakelt bij drooglopen. De fabrikant is niet aansprakelijk voor het slecht functioneren van de pomp als ermee geknoeid of gewijzigd is. In het geval dat de bodem van de opvangbak waar de pomp moet werken sterk vervuild is, is het raadzaam om een steun te voorzien waarop de pomp kan rusten om verstoppingen in het aanzuigrooster te voorkomen.

COMPONENTEN

De ULTRA 9000-pomp is ontworpen om bijna volledige demontage van de componenten mogelijk te maken, om correct gebruik, eenvoudig onderhoud en een lange levensduur te vergemakkelijken. Hieronder vindt u de lijst met afzonderlijke onderdelen en gerelateerde reserveonderdelen (Afb. 1) - opengewerkte weergave:

1. Motor volledig onderdompelbaar en geïsoleerd met tweecomponentenhars
2. Rotor met flens, waaier en lager;
3. Keramisch lager achter (accessoire met extractiehaak)
4. Rubberen afdichtingen
5. Spiraal inclusief rooster in hoogte verstelbaar met behulp van de 4 pootjes;
6. Verwisselbare uitgangen: verticaal en 90°;
7. Beveiligingsslot voor uitgangen;
8. Vlotter voor automatische AAN-UIT-functie;
9. Rooster van de vlotter
10. Gegradueerde slangaansluiting



Afb. 1



ZIE PAGINA 9

INSTALLATIE - GEBRUIK EN AFSTELLING

Voor de fysieke installatie van de pomp is het noodzakelijk om als volgt te werk te gaan:

- Wikkel het netsnoer van de pomp af op een plaats waar het op geen enkele manier kan worden beschadigd.
- Leid indien nodig een touw (voor het plaatsen van de pomp) door het gat in het deksel (Afb. 2).
- De pomp is voorgemonteerd met een verticale uitlaat: als u de 90°-uitlaat wilt gebruiken, volg dan de instructies in (Afb. 3). De uitlaat heeft een 1" ½ GAS buitendraad. Het is mogelijk om de meegeleverde getrapte slangkoppeling of een ander type fitting met die schroefdraad aan te sluiten;
- Plaats de pomp op een vlakke ondergrond die gemakkelijk toegankelijk is voor onderhoudswerkzaamheden;
- Als de pomp niet stabiel staat, stel dan een of meer pootjes afzonderlijk af (Afb. 4);
- Om het water op te zuigen tot het minimale niveau van 5 mm dat door de pomp is toegestaan, laat u het rooster gesloten (Afb. 5);
- Als aan deze eis niet wordt voldaan, is het raadzaam om het rooster volledig open te zetten (Afb. 6) om een maximaal pompvermogen te verkrijgen;
- Zet de cursor op AAN als u de pomp continu wilt laten werken;
- Plaats de cursor op AUTO Als u gebruik wilt maken van de geïntegreerde elektronische niveauschakelaar; (Afb. 7)

BELANGRIJK

De elektronica die in de pomp is ingebouwd, is geprogrammeerd om 3 beschermingsniveaus te garanderen:

- **Vergrendelde rotorbescherming:** Vergrendelde of abnormale rotorfunctie kan optreden als gevolg van overmatig vuil. In dit geval activeert de interne elektronica 10 pogingen om de pomp correct te herstarten. Als de pomp na 10 pogingen niet automatisch herstart, schakelt hij uit. In dit geval moet u om de pomp opnieuw te starten, de stekker uit het stopcontact halen en ongeveer 10 seconden wachten voordat u de stekker weer in het stopcontact steekt.
- **Droogloopbeveiliging:** bescherming van de motor bij gebruik zonder water. De pomp stopt als deze zonder water draait. De elektronica zal 10 herstartpogingen doen. Als er nog steeds niet genoeg water is, gaat de pomp in stand-by. Om hem opnieuw op te starten haalt u de stekker uit het stopcontact en steekt u hem er weer in of beweegt u de cursor tussen AAN en AUTO of wacht u tot het waterniveau de geïntegreerde elektronische niveauschakelaar activeert. Als de pomp uit het water wordt gehaald, stopt de motor
- **Thermische beveiliging:** deze treedt automatisch in werking om schade aan de motor te voorkomen wanneer de in de pomp ingebouwde sensor een aanzienlijke stijging van de omgevingstemperatuur waarneemt.

EN

IT

DE

FR

ES

NL

PT

CZ

SK

RO

PL

SE

DK

NO

ULTRA 9000

27

EN

IT

DE

FR

ES

NL

PT

CZ

SK

RO

PL

SE

DK

NO

ULTRA 9000

AANDACHT! Onderschat de magnetische kracht van de rotoeenheid niet. Als je per ongeluk je grip een beetje verliest en de spindel het puur keramische achterste lager raakt, is het risico op beschadiging van het lager erg groot. Dergelijke schade leidt tot hoge reparatiekosten.

ONDERHOUD

Alle reparatie- en onderhoudswerkzaamheden mogen alleen worden uitgevoerd nadat de pomp is losgekoppeld van de voeding.

Periodieke reiniging van de vlotter die de elektronische niveauschakelaar aanstuurt wordt aanbevolen.

Ga als volgt te werk:

- Open het deksel van de vlotter (**Afb. 8**);
- Verwijder de vlotter (**Afb. 8a**), reinig deze onder een waterstraal met behulp van een zachte borstel indien nodig. Reinig ook de plaats als deze vuil is;
- Plaats de vlotter opnieuw met het opschrift TOP naar boven gericht;
- Sluit het deksel van de vlotter.

Voor regulier onderhoud is het reinigen van de rotoeenheid voldoende. Voor deze handeling moet u (**Afb. 9**):

- Draai de vier schroeven los die toegankelijk zijn via de onderkant van het rooster (**Afb. 9a**);
- Draai de twee schroeven (**Afb. 9b**) los die toegankelijk zijn door het veiligheidsblok van de uitgangen (7) te verwijderen;
- Verwijder het slakkenhuis en het rooster (5). Op deze manier is het mogelijk om de rotor compleet met flens (2) eruit te halen; (**Afb. 10**)
- Reinig de onderdelen onder een waterstraal, eventueel met een zachte borstel. Zet de onderdelen weer in elkaar door alle bovenstaande handelingen in omgekeerde volgorde uit te voeren. Voor buitengewoon onderhoud waarbij de rotor-waaiereenheid (2) moet worden vervangen, gaat u te werk zoals bij het vorige punt, behalve dat u een nieuwe rotor-waaiereenheid (2) monteert in plaats van de versleten.

AANWIJZINGEN VOOR EEN JUISTE AFVOER VAN HET PRODUCT VOLGENS DE EUROPESE RICHTLIJN 2002/96/EC

Aan het einde van zijn bruikbaarheidsduur, mag het product niet samen met het gemeentelijk afval worden afgevoerd. Het kan worden afgegeven bij de speciale gemeentelijke centra voor gescheiden afvalinzameling of bij verkopers die deze service aanbieden. Door huishoudelijke apparaten gescheiden te verwerken, kunnen mogelijk negatieve gevolgen voor het milieu en de gezondheid door een onjuiste verwerking worden vermeden en kunnen de materialen waaruit het bestaat worden teruggewonnen voor een aanzienlijke besparing van energie en bronnen.

GARANTIE

SICCE geeft aan de oorspronkelijke koper van dit product garantie (zie Uitsluitingen hieronder) tegen materiaal- en fabricagefouten gedurende een periode van vijf (3+2) jaar vanaf de datum van oorspronkelijke aankoop, met uitzondering van de rotor van de pomp, die een garantie heeft voor een periode van zes (6) maanden. Deze garantie is beperkt tot reparatie of vervanging (naar keuze van Sicce) van het defecte product en dekt geen verlies van siervijverleven, persoonlijk letsel, verlies van eigendommen of schade als gevolg van het gebruik van het product. We raden u aan het originele aankoopbewijs te bewaren om de garantie te valideren. Garantieclaims moeten worden ingediend bij de detailhandelaar waar u het product hebt gekocht. Het niet overleggen van een aankoopbewijs bij de claim, maakt het recht op de garantie ongeldig. U kunt via de website www.sicce.com, in de juiste sessie, om hulp vragen als het niet mogelijk is geweest om contact op te nemen met de dealer. Ook in dit geval is het aankoopbewijs een fundamentele vereiste voor de correcte uitvoering van de retourprocedure. Elke garantie hierin zal gelijktijdig lopen met, en niet in aanvulling op, eventuele minimale garantieperiodes die zijn vastgesteld door de toepasselijke wetgeving. De eiser moet een "Return Merchandise Authorization" verkrijgen op het moment van indienen voordat hij een product verzendt voor garantie of technische service.

De verzendkosten van en naar het servicecentrum of reparatiestation zijn voor de koper. **UITSLUITINGEN.** Deze garantie dekt niet het volgende: *Schade als gevolg van een ongeval, verkeerd gebruik, misbruik, gebrek aan redelijke zorg, gebruik van het product dat anders is dan normaal of gewoon, gebruik van het project in abnormale werkomstandigheden of andere storingen die niet het gevolg zijn van materiaal- of fabricagefouten. *Schade als gevolg van modificatie, manipulatie of poging tot reparatie door iemand anders dan Sicce of diens aangewezen persoon. * Overdracht van het product aan iemand anders dan de oorspronkelijke koper. * Het product onderwerpen aan een elektrische dienst die niet in de verpakking is gespecificeerd; de oorspronkelijke koper is verantwoordelijk voor het leveren van adequate elektrische faciliteiten."

ONTDEK HOE U UW PRODUCT GEGARANDEERD KRIJGT VOOR 5 JAAR.

Om onze service en de tevredenheid van onze klanten te verbeteren, biedt Sicce de mogelijkheid om de garantie met 2 jaar (in totaal 5 jaar) te verlengen door uw product eenvoudig te registreren op onze website www.sicce.com, bij "Ondersteuning/ productregistratie".

Prezado Cliente,

OBRIGADO por escolher a ULTRA 9000, uma bomba do tipo submersível projetada e construída para bombear água turva sem fibras. A ULTRA 9000 pode ser utilizada principalmente para uso doméstico com funcionamento contínuo ou automático por meio do interruptor de nível eletrônico integrado, para drenar solos e garagens sujeitas a inundações, para bombear poços de drenagem, para bombear poços de recolha de águas pluviais ou infiltrações provenientes de calhas, para esvaziar piscinas ou coberturas de piscinas com auxílio de encaixe de sucção horizontal fornecido. Se utilizada continuamente, a ULTRA 9000 é ideal também para lagoas, fontes, cascatas, aplicações hidropônicas e aquários.

Para utilizar corretamente a sua bomba, aconselhamos ler atentamente e conservar as instruções a seguir.

INSTRUÇÕES DE SEGURANÇA:

ULTRA 9000 está em conformidade com leis nacionais e internacionais de segurança.

1. Verifique se a tensão do rótulo da bomba corresponde com a da rede de energia. A bomba deve ser provida de um interruptor diferencial (protetor) através do qual a corrente nominal seja igual ou inferior a 30mA.
2. A bomba pode funcionar somente dentro de água.
3. Antes de ligar a bomba à rede elétrica, verifique se o cabo ou a bomba não estão danificados.
4. A bomba tem uma ligação de cabo tipo Z. O cabo e/ou o plugue não podem ser substituídos ou consertados; em caso de danos, substitua a bomba inteira.
5. **ATENÇÃO:** Desconecte todos os produtos elétricos submerses antes de fazer qualquer manutenção no aquário; no caso do plugue ou a tomada de energia, desligue a chave disjuntora antes de desligar o cabo de energia.
6. A bomba não pode funcionar sem água a fim de não danificar o motor.
7. A bomba pode ser usada em líquidos ou meios com temperaturas abaixo de 35° C / 95° F.
8. Não use a bomba para finalidades diferentes daquelas para as quais ela foi projetada, como por exemplo em banheiros ou outros tipos de aplicações.
9. Evite usar a bomba em líquidos abrasivos ou corrosivos.
10. A bomba não foi projetada para pessoas desabilitadas ou crianças sem supervisão de uma pessoa responsável por sua segurança.
11. Para evitar pingos acidentais no plugue ou na tomada de energia, faça uma volta com o cabo de maneira que fique abaixo do nível do soquete (**Fig. A**).
12. Evite desligar a bomba puxando o cabo da tomada durante a instalação ou manutenção.
13. A bomba pode ser usada apenas dentro das aplicações mencionadas acima.

ADVERTÊNCIAS

A utilização em adegas, porões, piscinas, etc., é permitido somente caso o sistema elétrico seja marcado com medidas de segurança conforme as normas internacionais em vigor.

A bomba é equipada com alça para o transporte, que também pode ser utilizada para abaixá-la em poços ou escavações profundas por meio de um cabo a ser fixado no furo presente .

A bomba não deve ser transportada, içada ou operada suspensa pelo cabo de alimentação. Qualquer dano ao cabo de alimentação requer a substituição da bomba e não o reparo do cabo.

É necessário, por isso, recorrer ao pessoal especializado e qualificado que possua os requisitos exigidos pelas normas em vigor. É adequado recorrer também ao pessoal qualificado para todos os reparos elétricos que, caso executados incorretamente, podem causar danos e lesões.

A bomba nunca deve funcionar a seco: no entanto, existe uma proteção eletrônica que desliga a bomba em caso de funcionamento a seco. A empresa fabricante não é responsável pelo mau funcionamento da bomba caso esta seja adulterada ou modificada. Caso o fundo da fossa onde a bomba vai funcionar esteja muito sujo, aconselha-se providenciar um suporte para apoiar a bomba para evitar obstruções na grelha de sucção.

EN

IT

DE

FR

ES

NL

PT

CZ

SK

RO

PL

SE

DK

NO

ULTRA 9000

29

EN

IT

DE

FR

ES

NL

PT

CZ

SK

RO

PL

SE

DK

NO

ULTRA 9000

COMPONENTES

As bombas ULTRA 9000 foram projetadas para facilitar a desmontagem quase total de seus componentes, para facilitar o uso correto, manutenção simples e garantir longa vida útil. Abaixo está a lista de peças individuais e relativas peças de reposição (**Fig. 1**) - vista explodida:

1. Corpo do motor completamente submersível e isolado com resina bicomponente
2. Grupo do rotor com flange, impulsor e mancal;
3. Mancal cerâmico traseiro (gancho de extração acessória)
4. Juntas em borracha
5. Voluta com a inclusão de grelha ajustável em altura por meio de 4 pés;
6. Saídas intercambiáveis: vertical e a 90°;
7. Bloco de segurança para a as saídas;
8. Flutuador para a função de ON-OFF automática;
9. Tampa do flutuador;
10. Mangueira em cunha.

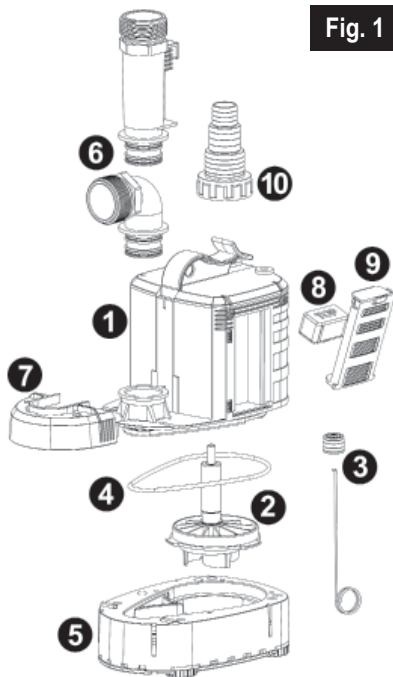


Fig. 1



VER PÁGINA 9

INSTALAÇÃO - USO E REGULAÇÃO

- Para a instalação física da bomba, é necessário proceder conforme a seguir:
- Desbobine o cabo de alimentação da bomba em uma zona onde não possa ser danificado de forma alguma.
- Providencie qualquer cabo, para a recuperação da bomba, para ser fixado no furo presente na tampa (**Fig. 2**).
- A bomba é pré-montada com a saída vertical: se desejar utilizar a de 90°, siga as indicações da (**Fig. 3**). As saídas possuem rosca macho de 1" ½ GÁS. É possível ligar a mangueira em cunha fornecida ou qualquer outro tipo de ligação com essa rosca;
- Posicione a bomba em uma zona plana e de fácil acesso para as operações de manutenção;
- Se a bomba não estiver estável, isso pode ser feito ao ajustar separadamente um ou mais pés (**Fig. 4**);
- Para aspirar a água até o nível mínimo de 5 mm permitido pela bomba, deixe a grelha fechada (**Fig. 5**);
- Caso este requisito não seja cumprido, aconselha-se ajustar a grelha completamente aberta (**Fig. 6**) para obter o máximo de rendimento da bomba;
- Posicione o cursor em ON se deseja fazer bomba operar em contínuo;
- Posicione o cursor em AUTO se deseja aproveitar o interruptor de nível eletrônico integrado; (**Fig. 7**)

IMPORTANTE

A placa eletrônica incorporada na bomba foi programada para garantir 3 níveis de proteção:

- **Proteção em caso de rotor bloqueado:** o bloqueio ou funcionamento anômalo do rotor pode ocorrer devido a sujeira excessiva. Neste caso, a placa eletrônica interna ativará 10 tentativas para reiniciar a bomba corretamente. Se a bomba não reiniciar automaticamente após 10 tentativas, ela desligará. Neste caso, para reiniciar a bomba, será necessário retirar a ficha de alimentação da tomada de corrente, aguardar aprox. 10 segundos antes de reinserir a ficha.
- **Proteção contra funcionamento a seco:** proteção do motor em caso de funcionamento sem água. A bomba para de funcionar sem água. A placa eletrônica fará 10 tentativas de reinício. Se ainda não houver água suficiente, a bomba entrará em stand-by. Para fazê-la reiniciar, desligue e ligue novamente a ficha ou mova o cursor entre ON e AUTO ou aguarde para que o nível de água acione o interruptor de nível eletrônico integrado. Quando é extraída a água da bomba, o motor para
- **Proteção térmica:** entre em funcionamento automaticamente para evitar danos ao motor quando o

sensor incorporado na bomba deteta um aumento significativo da temperatura ambiente.

ATENÇÃO! Não subestime a força magnética do grupo do rotor. Se acidentalmente perderes um pouco a aderência e a haste bater no mancal traseiro de cerâmica pura, o risco de danificá-lo ou o mancal é muito alto. Um dano deste tipo leva a custos elevados de reparo.

MANUTENÇÃO

Todas as intervenções de reparo e manutenção devem ser realizadas somente após ter desligado a bomba da rede de alimentação.

Aconselha-se a limpeza periódica do flutuador que pilota o interruptor de nível eletrónico.

Proceda da forma a seguir :

- Abra a tampa do flutuador (**Fig. 8**).
- Retire o flutuador (**Fig. 8a**), limpe-o com um jato de água, se possível com uma escova macia. Limpe também o assento caso esteja sujo;
- Insira novamente o flutuador com o texto TOP para cima;
- Feche a tampa do flutuador.

Para a manutenção ordinária, basta realizar a limpeza do grupo do rotor. Para esta operação, deve-se (**Fig. 9**):

- Soltar os quatro parafusos Phillips acessíveis na parte inferior da grelha (**Fig. 9a**);
- Soltar os dois parafusos Phillips (**Fig. 9b**) acessíveis ao remover o bloqueio de segurança das saídas (7);
- Remover a voluta e a grelha (5). Desta forma, será possível extrair o rotor completo do mancal (2); (**Fig. 10**)
- Limpar os componentes com um jato de água, se possível com uma escova macia. Remonte as peças ao realizar todas as operações indicadas acima na ordem inversa. Para a manutenção extraordinária que envolva a substituição do grupo do rotor-impulsor (2), proceda como no ponto anterior, exceto na remontagem de um grupo rotor-impulsor (2) novo no lugar do desgastado.

PRECAUÇÕES PARA DESCARTE CORRETO DO PRODUTO NOS TERMOS DA DIRECTIVA CE 2002/96 / CE

Se usada ou quebrada, esta bomba não pode ser descartada como lixo comum. Verifique a legislação vigente e procure centros apropriados para descartar a bomba, ou devolva-a ao revendedor. Descarte separadamente qualquer componentes elétrico para não causar danos ao ambiente . Procure centros de reciclagem desse tipo de material.

GARANTIA

SICCE garante este produto (ver Exclussões abaixo) ao comprador original contra defeitos de materiais e mão de obra por um período de cinco (3+2) anos a partir da data da compra original, exceto para o impulsor da bomba, que é garantido por um período de seis (6) meses. Esta garantia está limitada à reparação ou substituição (a critério da Sicce) apenas de produtos defeituosos e não cobre a perda de vida útil do lago, ferimentos pessoais, perdas materiais ou danos decorrentes do uso do produto. Recomendamos que mantenha o comprovante de compra original para validar a garantia. As reivindicações de garantia devem ser enviadas ao revendedor onde comprou o produto. A falha de apresentação do comprovante de compra anexado à reivindicação invalidará o direito à garantia. Ao conectar-se ao site www.sicce.com, na sessão apropriada, pode solicitar assistência se não for possível entrar em contacto com o revendedor. Também neste caso o comprovante de compra será requisito fundamental para a correta execução do procedimento de devolução. Qualquer garantia neste documento será executada simultaneamente com, e não em adição a, quaisquer períodos mínimos de garantia estabelecidos pela lei aplicável. O reivindicante deve obter uma "Autorização de Devolução de Mercadoria" no momento do depósito antes de enviar qualquer produto para garantia ou serviço técnico. O comprador arca com o custo de envio de e para o centro de manutenção ou oficina de reparação.

EXCLUSÕES. Esta garantia não cobre o seguinte: *Danos resultantes de acidente, mau uso, abuso, falta de cuidado razoável, uso do produto que não seja normal ou comum, uso do projeto em condições anormais de trabalho ou quaisquer outras falhas não resultantes de defeitos de materiais ou mão de obra. *Danos resultantes de modificação, adulteração ou tentativa de reparação por qualquer pessoa que não seja da Sicce ou seu representante. * Transferência do produto para alguém que não seja o comprador original. * Submeter o produto a serviço elétrico não especificado na embalagem; o comprador original é responsável por disponibilizar instalações elétricas adequadas."

DESCUBRA CÓMO OBTENER UNA GARANTÍA DE 5 AÑOS PARA SU PRODUCTO

Para mejorar nuestro servicio y la satisfacción de nuestros clientes, Sicce ofrece la posibilidad de añadir una extensión de 2 años (5 años en total) a la garantía simplemente registrando su producto en nuestra página web www.sicce.com , en " Soporte/registro del producto".

EN

IT

DE

FR

ES

NL

PT

CZ

SK

RO

PL

SE

DK

NO

ULTRA 9000

EN

IT

DE

FR

ES

NL

PT

CZ

SK

RO

PL

SE

DK

NO

Vážený zákazník,

DĚKUJEME, že jste si vybrali ULTRA 9000, ponorné čerpadlo navržené a vyrobené pro čerpání kalné vody bez vláken. ULTRA 9000 lze použít především pro domácí použití s nepřetržitým nebo automatickým provozem pomocí integrovaného elektronického hladinového spínače, k vyprazdňování sklepů a garáží, které jsou zatopené, k odčerpávání drenážních studní, k odčerpávání sběrných jímek dešťové vody nebo průsaků z okapů, k vyprazdňování bazénů nebo bazénových krytů pomocí horizontální sací přípojky. Při nepřetržitém použití je ULTRA 9000 ideální také pro jezírka, fontány, vodopády, hydroponické aplikace a akvária.

Pro správné používání čerpadla doporučujeme pečlivě si přečíst a uschovat následující pokyny.

BEZPEČNOSTNÍ PŘEDPISY

ULTRA 9000 je vyrobeno v souladu se současnými národními a mezinárodními bezpečnostními předpisy.

1. Zkontrolujte, zda napětí uvedené na štítku čerpadla odpovídá napětí sítě. Zařízení musí být napájeno prostřednictvím diferenciálního vypínače (život zachraňující pojistka), jehož nominální proud je nižší nebo roven 30mA.
2. Čerpadla mohou být použita pouze ponořená.
3. Před zapojením zařízení do sítě zkontrolujte, zda kabel a čerpadlo nejsou nějakým způsobem poškozeny.
4. Čerpadlo je konstruováno se zapojením typu Z. Kabel a zástrčka nemohou být vyměněny nebo opraveny; v případě poškození je třeba vyměnit celé zařízení.
5. **POZOR:** odpojte všechna ponorná elektrická zařízení před tím, než provedete jakýkoli typ údržby ve vodě; v případě, že by zástrčka zapojení nebo zásuvky proudu byly mokré, vypněte hlavní vypínač před tím, než odpojíte přívodní kabel.
6. Čerpadlo nesmí nikdy fungovat bez vody, aby se zabránilo poškození motoru.
7. Čerpadlo může být použito v kapalinách nebo v prostředí s teplotou nepřesahující 35° C / 95° F.
8. Nepoužívejte zařízení k jiným účelům, než pro které bylo vytvořeno, jako například v koupelnách nebo podobných aplikacích.
9. Vyvarujte se toho, aby čerpadlo fungovalo s korozivními a abrazivními kapalinami.
10. Toto zařízení nebylo navrženo, aby bylo používáno osobami (včetně dětí) se sníženými fyzickými, smyslovými a mentálními schopnostmi, leda by byly doprovázeny osobami odpovědnými za jejich bezpečnost.
11. Aby se zabránilo tomu, že náhodné kapky namočí zástrčku nebo zásuvku proudu, vytvořte ohyb kabelu pod úrovní zásuvky (**Obr. A**).
12. Během instalace a údržby se vyvarujte zvedání čerpadla pomocí kabelu.
13. Čerpadlo může být použito pouze ve výše uvedených aplikacích.

UPOZORNĚNÍ

Použití ve sklepech, suterénech, bazénech apod. je povoleno pouze tehdy, pokud je elektrická instalace označena bezpečnostními opatřeními podle platných mezinárodních norem.

Čerpadlo je vybaveno rukojetí pro přenášení, kterou lze také použít ke spuštění čerpadla do studny nebo hlubokého výkopu pomocí lana, které se připevní k otvoru.

Čerpadlo se nesmí přepravovat, zvedat ani provozovat zavěšené pomocí napájecího kabelu. Jakékoli poškození napájecího kabelu vyžaduje výměnu čerpadla, nikoli opravu kabelu.

Proto je nutné využívat specializovaný a kvalifikovaný personál, který splňuje požadavky platných předpisů. Kvalifikovaný personál by se měl podílet i na všech elektrických opravách, které by při špatném provedení mohly způsobit škody a zranění.

Čerpadlo by nikdy nemělo běžet na sucho: existuje však elektronická ochrana, která čerpadlo v případě chodu na sucho vypne. Výrobce neodpovídá za nesprávnou funkci čerpadla, pokud je s ním manipulováno nebo je upravováno. V případě, že je dno jímky, kde má čerpadlo pracovat, silně znečištěné, je vhodné zajistit podpěru, I kterou se čerpadlo opře, aby se zabránilo ucpání sací mřížky.

ULTRA 9000

SOUČÁSTI

Čerpadla ULTRA 9000 byla navržena tak, aby umožňovala téměř úplnou demontáž svých součástí, usnadňovala správné používání, snadnou údržbu a zajišťovala dlouhou životnost. Níže je uveden seznam jednotlivých dílů a náhradních dílů (**Obr. 1**) - přehled:

1. Plně ponorné tělo motoru izolované dvousložkovou pryskyřicí
2. Sestava rotoru s přírubou, oběžným kolem a ložiskem;
3. Zadní keramické ložisko (vytahovací drápek příslušenství)
4. Gumová těsnění
5. Voluta včetně mřížky výškově nastavitelná pomocí 4 nožiček;
6. Vyměnitelné výstupy: vertikální na 90°;
7. Bezpečnostní zámek pro výstupy;
8. Plovák pro automatické zapnutí a vypnutí;
9. Kryt plováku;
10. Stupňovitý gumový držák.



Obr. 1



VIZ STRANA 9

INSTALACE - POUŽITÍ A NASTAVENÍ

Při fyzické instalaci čerpadla je třeba provést následující kroky:

- Napájecí kabel čerpadla odviňte na místě, kde nemůže dojít k jeho poškození.
- Zajistěte případné lano pro oživení čerpadla, které se připevňuje na otvor v krytu (**Obr. 2**).
- Čerpadlo je předem namontováno s vertikálním vývodem: pokud chcete použít 90° vývod, postupujte podle pokynů na (**Obr. 3**). Vývody mají vnější závit 1" ½ GAS. Je možné připojit dodanou stupňovitou hadicovou přípojku nebo jakýkoli jiný typ šroubení s tímto závitem;
- Umístěte čerpadlo na rovné místo, které je snadno přístupné pro údržbu;
- Pokud čerpadlo není stabilní, můžete postupovat tak, že samostatně nastavíte jednu nebo více nožiček (**Obr. 4**);
- Chcete-li nasát vodu na minimální hladinu 5 mm, kterou umožňuje čerpadlo, nechte mřížku zavřenou (**Obr. 5**);
- Pokud tento požadavek nemáte, doporučujeme pro maximální výkon čerpadla nastavit mřížku zcela otevřenou (**Obr. 6**);
- Pokud chcete, aby čerpadlo běželo nepřetržitě, nastavte posuvník do polohy ON;
- Pokud chcete využívat integrovaný elektronický hladinový spínač, nastavte posuvník do polohy AUTO (**Obr. 7**).

DŮLEŽITÉ Elektronická deska zabudovaná v čerpadle byla naprogramována tak, aby poskytovala 3 úrovně ochrany:

- **Ochrana v případě zablokování rotoru:** v důsledku nadměrného znečištění by mohlo dojít k zablokování nebo abnormálnímu provozu rotoru. V tomto případě interní elektronická deska aktivuje 10 pokusů o správné restartování čerpadla. Pokud se čerpadlo po 10 pokusech automaticky nerestartuje, vypne se. V takovém případě je pro opětovné spuštění čerpadla nutné vytáhnout zástrčku napájecí jednotky ze zásuvky a před opětovným zasunutím zástrčky počkat asi 10 sekund.
- **Ochrana proti chodu nasucho:** ochrana motoru v případě provozu bez vody. Čerpadlo se zastaví, pokud běží bez vody. Deska plošných spojů provede 10 pokusů o restart. Pokud je vody stále málo, čerpadlo přejde do pohotovostního režimu. Chcete-li ji znovu spustit, odpojte ji a znovu zapojte nebo přesuňte posuvník mezi polohami ON a AUTO nebo počkejte, až hladina vody spustí integrovaný

EN

IT

DE

FR

ES

NL

PT

CZ

SK

RO

PL

SE

DK

NO

ULTRA 9000

EN

IT

DE

FR

ES

NL

PT

CZ

SK

RO

PL

SE

DK

NO

elektronický hladinový spínač. Po vytažení čerpadla z vody se motor zastaví.

- **Teplná ochrana:** automaticky se zapne, aby zabránila poškození motoru, když vestavěný senzor čerpadla zjistí výrazné zvýšení okolní teploty.

POZOR! Nepodceňujte magnetickou sílu sestavy rotoru. Pokud náhodou ztratíte úchop a vřeteno narazí na zadní čisté keramické ložisko, je riziko jeho poškození nebo poškození ložiska velmi vysoké. Takové poškození vede k vysokým nákladům na opravu.

ÚDRŽBA

Veškeré opravy a údržbu provádějte až po odpojení čerpadla od napájení.

Doporučuje se pravidelné čištění plováku ovládajícího elektronický hladinový spínač.

Postupujte následujícím způsobem :

- Otevřete kryt plováku (**Obr. 8**);
- Vyjměte plovák (**Obr. 8a**), v případě potřeby jej vyčistěte pod proudem vody pomocí měkkého kartáče. Pokud je uložení znečištěné, vyčistěte ho;
- Znovu vložte plovák s označením TOP směrem nahoru;
- Zavřete kryt plováku.

Pro běžnou údržbu stačí vyčistit sestavu rotoru. Pro tuto operaci budete muset (**Obr. 9**):

- Vyšroubovat čtyři křížové šrouby přístupné ze spodní části mřížky (**Obr. 9a**);
- Vyšroubovat dva šrouby s křížovou hlavou (**Obr. 9b**), které jsou přístupné po odstranění pojistky výstupu (**7**);
- Vyjmout spirálu a mřížku (**5**). Poté lze rotor s přírubou (**2**) vyjmout (**Obr. 10**).
- Vyčistit součásti pod proudem vody a v případě potřeby použijte měkký kartáč. Znovu sestavit díly provedením všech výše uvedených operací v opačném pořadí. Při mimořádné údržbě zahrnující výměnu sestavy rotor-oběžné kolo (**2**) postupujte jako v předchozím bodě s tím rozdílem, že na místo opotřebované sestavy rotor-oběžné kolo (**2**) musí být namontována nová.

UPOZORNĚNÍ PRO SPRÁVNOU LIKVIDACI VÝROBKU VE SMYSLU EVROPSKÉ SMĚRNICE 2002/96/ES

Na konci životnosti výrobku nesmí být tento likvidován spolu s komunálním odpadem. Může být doručen do příslušných center sběru tříděného odpadu připravenými místními samosprávami, nebo k prodejcem, kteří poskytují tuto službu. Oddělená likvidace elektrospotřebiče umožní vyvarovat se možných negativních následků pro životní prostředí a pro zdraví, a umožní recyklovat materiály a získat významnou energetickou úsporu.

ZÁRUKA

Na tento výrobek, s výjimkou rotoru, je poskytována záruka po dobu (3+2) let od data koupě proti vadám materiálu a zpracování. Záruční list musí být prodejcem vyplněn ve všech jeho částech, a bude muset doprovázet zařízení v případě, že bude vrácen k opravě, spolu s daňovým nebo jiným odpovídajícím dokladem. Záruka spočívá ve výměně vadných částí. V případě nevhodného použití nebo nedbalosti ze strany kupujícího nebo uživatele, je záruka neplatná a upadne okamžitě. Záruka je rovněž neplatná, v případě, že chybí daňový doklad o koupi nebo jiný odpovídající doklad. Výdaje na dopravu a na vrácení jsou k tíži kupujícího.

VÝJIMKY Tato záruka se nevztahuje na následující: * Poškození vzniklé v důsledku nehody, přepravy, nesprávného použití, zneužití, nedostatku přiměřené péče, jiného než běžného nebo obvyklého použití výrobku, použití výrobku v neobvyklých pracovních podmínkách nebo jakéhokoli jiného selhání, které není důsledkem vad materiálu nebo zpracování. * Škody vzniklé v důsledku úprav, zásahů nebo pokusů o opravu provedených jinou osobou než společností Sicce nebo jejím autorizovaným zástupcem. * Převod výrobku na jinou osobu než na původního kupujícího. * Použití výrobku s jinou elektrickou normou (Volt/Hz), než je uvedeno.

ZJISTĚTE, JAK ZÍSKAT PĚTILETOU ZÁRUKU NA VÁŠ VÝROBEK.

Pro zlepšení služeb a spokojenosti zákazníků nabízí společnost SICCE možnost uplatnit dodatečnou dvouletou záruku pouhou registrací výrobku na webových stránkách www.sicce.com v sekci „Podpora/Registrace výrobku“.

ULTRA 9000

Vážení zákazník,

ĎAKUJEME, ŽE STE si vybrali ponorné čerpadlo ULTRA 9000, navrhnuté a skonštruované na čerpanie zakalenej vody bez vlákien. ULTRA 9000 sa môže používať najmä na domáce použitie s nepretržitou alebo automatickou prevádzkou pomocou integrovaného elektronického hladinového spínača, na presušovanie zaplavených suterénov a garáží, na odčerpávanie drenážnych studní, na odčerpávanie nádrží na dažďovú vodu alebo priesakovú vodu z odkvapových žlabov, na vyprázdňovanie bazénov alebo bazénových krytov pomocou dodaného vodorovného sacieho pripojenia. Pri nepretržitom používaní je ULTRA 9000 ideálne aj pre jazierka, fontány, vodopády, hydroponické systémy a akváriá.

Pre správne používanie čerpadla Vám odporúčame pozorne si prečítať a uschovať nasledujúce pokyny.

VŠEOBECNÉ BEZPEČNOSTNÉ POKYNY

Čerpadlo **ULTRA 9000** je vyrobené v zhode s aktuálnymi národnými a medzinárodnými normami.

1. Skontrolujte, či napätie uvedené na štítku čerpadla zodpovedá sieťovému napätiu. Zariadenie musí byť napájané prostredníctvom diferenciálneho vypínača (prerušovača), ktorého menovitý prúd je nižší alebo rovnajúci sa 30mA.
2. Tieto čerpadlá sa môžu používať iba ponorené do vody.
3. Pred pripojením zariadenia do siete skontrolujte, či kábel a čerpadlo nie sú nejakým spôsobom poškodené.
4. Čerpadlo je zostrojené s pripojením typu Z. Kábel a zástrčka sa nemôžu vymeniť ani opraviť; v prípade poškodenia vymeňte celé zariadenie.
5. **UPOZORNENIE:** pred vykonaním skéhoľoviek typu údržby odpojte všetky elektrické zariadenia ponorené do vody; v prípade, ak by pripojovacia zástrčka alebo zásuvka boli mokré, odpojte hlavný vypínač pred vytiahnutím napájacieho kábla.
6. Čerpadlo nikdy nesmie pracovať bez vody, aby sa zabránilo poškodeniam motora.
7. Čerpadlo sa môže použiť v kvapalinách alebo v prostrediach s teplotou nepresahujúcou 35 °C / 95° F.
8. Zariadenie nepoužívajte na iné ako stanovené účely, ako napr. v kúpeľniach alebo podobné aplikácie.
9. Čerpadlo neprevádzkujte s korozívnymi a abrazívnymi kvapalinami.
10. Toto zariadenie nie je navrhnuté na použitie osobami (vrátane detí) so zníženými fyzickými, zmyslovými a mentálnymi schopnosťami, ak nie sú pod dozorom osobami zodpovednými za ich bezpečnosť.
11. Aby sa zabránilo, že náhodné odkvapkávania zamočia zástrčku alebo zásuvku, pomocou kábla vytvorte ohyb pod úrovňou zásuvky (**Obr. A**).
12. Počas inštalácie a údržby nedvíhajte čerpadlo za napájací kábel.
13. Čerpadlo sa môže použiť iba v aplikáciách uvedených vyššie.

UPOZORNENIA

Používanie v pivniciach, suterénoch, bazénoch atď. je povolené len vtedy, ak je elektrické zariadenie zabezpečené bezpečnostnými opatreniami v súlade s platnými medzinárodnými normami.

Čerpadlo je vybavené rukoväťou na prenášanie, ktorú možno použiť aj na spustenie čerpadla do studní alebo hlbokých výkopov pomocou lana, ktoré sa upevní k prítomnému otvoru .

Čerpadlo sa nesmie prepravovať, zdvíhať ani prevádzkovať zavesené pomocou napájacieho kábla. Akékoľvek poškodenie napájacieho kábla si vyžaduje výmenu čerpadla, nie opravu kábla.

Preto je potrebné využívať špecializovaný a kvalifikovaný personál, ktorý spĺňa požiadavky platných predpisov. Kvalifikovaný personál by sa mal podieľať aj na všetkých elektrických opravách, ktoré by pri nesprávnom vykonaní mohli spôsobiť poškodenie a pracovné úrazy.

Čerpadlo nesmie byť nikdy v prevádzke nasucho: existuje však elektronická ochrana, ktorá vypne čerpadlo v prípade chodu nasucho. Výrobca nezodpovedá za nesprávne fungovanie čerpadla, ak sa s ním manipuluje alebo sa upravuje. V prípade, že dno šachty, v ktorej má čerpadlo pracovať, je silne znečistené, odporúča sa zabezpečiť podporu, o ktorú bude čerpadlo opreté, aby sa zabránilo upchávaniu sacieho roštu.

EN

IT

DE

FR

ES

NL

PT

CZ

SK

RO

PL

SE

DK

NO

ULTRA 9000

35

EN

IT

DE

FR

ES

NL

PT

CZ

SK

RO

PL

SE

DK

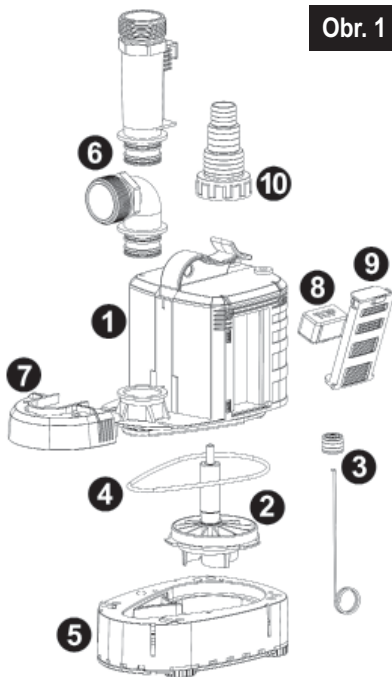
NO

ULTRA 9000

KOMPONENTY

Čerpadlá ULTRA 9000 boli navrhnuté tak, aby umožnili takmer úplnú demontáž ich komponentov pre uľahčenie správneho používania, jednoduchej údržby a pre zabezpečenie ich dlhej životnosti. Nižšie uvádzame zoznam jednotlivých súčastí a príslušných náhradných dielov (**Obr. 1**) - rozložený pohľad:

1. Plne ponorné telo motora izolované dvojzložkovou živícou
2. Zostava rotora s prírubou, obežným kolesom a ložiskom;
3. Zadné keramické ložisko (prídavný extrakčný hák)
4. Gumové tesnenia
5. Spirála vrátane výškovo nastaviteľnej mriežky pomocou 4 nožičiek;
6. Vymeniteľné výstupy: vertikálne a 90° výstupy;
7. Poistka pre výstupy;
8. Plavák pre funkciu automatického zapnutia a vypnutia;
9. Plávajúci kryt;
10. Stupňovitý držiak hadice.



Obr. 1



POZRITE SI
STRANU 9

INŠTALÁCIA - POUŽITIE A NASTAVENIE

Pri fyzickej inštalácii čerpadla je potrebné postupovať nasledovne:

- Napájaci kábel čerpadla odvíjajte na mieste, kde nemôže dôjsť k žiadnemu poškodeniu.
- Zabezpečte prípadné lano na vyťahnutie čerpadla, ktoré sa upevní na otvor v kryte (**Obr. 2**).
- Čerpadlo je vopred zmontované s vertikálnym výstupom: ak chcete použiť 90° výstup, postupujte podľa pokynov na (**Obr. 3**). Výstupy majú vonkajší závit 1" ½ GAS. S týmto závitom je možné pripojiť dodaný stupňovitý držiak hadice alebo akýkoľvek iný typ prípojky; Umiestnite čerpadlo na rovnú plochu ľahko prístupnú pre údržbu;
- Ak čerpadlo nie je stabilné, je možné nastaviť samostatne jednu alebo viac nôh (**Obr. 4**);
- Ak chcete nasať vodu na minimálnu úroveň 5 mm povolenú čerpadlom, nechajte mriežku zatvorenú (**Obr. 5**);
- Ak túto požiadavku nemáte, odporúčame nastaviť mriežku úplne otvorenú (**Obr. 6**), pre maximálny výkon čerpadla;
- Ak chcete, aby čerpadlo pracovalo nepretržite, nastavte kurzor na ON;
- Ak chcete využiť výhody integrovaného elektronického hladinového spínača, nastavte kurzor na AUTO; (**Obr. 7**)

DÔLEŽITÉ

Elektronická doska zabudovaná v čerpadle bola naprogramovaná tak, aby zaručovala 3 úrovne ochrany:

- **Ochrana v prípade zablokovaného rotora:** v dôsledku nadmerného znečistenia môže dôjsť k zablokovaniu alebo abnormálnej prevádzke rotora. V tomto prípade interná elektronická doska aktivuje 10 pokusov o správne opätovné spustenie čerpadla. Ak sa čerpadlo po 10 pokusoch automaticky nereštartuje, vypne sa. V takomto prípade je na opätovné spustenie čerpadla potrebné vytrhnúť zástrčku napájacej jednotky zo zásuvky, počkať asi 10 sekúnd a potom zástrčku znova zasunúť.
- **Ochrana proti chodu nasucho:** ochrana motora v prípade prevádzky bez vody. Čerpadlo sa zastaví, ak beží bez vody. Elektronická karta vykoná 10 pokusov o reštart. Ak stále nie je dostatok vody, čerpadlo prejde do pohotovostného režimu. Ak ho chcete reštartovať, odpojte ho zo zásuvky a znova zapojte, alebo posuňte kurzor medzi ON a AUTO alebo počkajte, kým hladina vody spustí integrovaný

elektronický hladinový spínač. Keď sa čerpadlo vytiahne z vody, motor sa zastaví

- **Tepeľná ochrana:** automaticky sa uvedie do prevádzky, aby sa zabránilo poškodeniu motora, keď zabudovaný snímač čerpadla detekuje výrazné zvýšenie teploty okolia.

POZOR! Nepodceňujte magnetickú silu zostavy rotora. Ak náhodou stratíte trochu úchop a vreteno narazí na čisto keramické zadné ložisko, riziko jeho poškodenia alebo poškodenia ložiska je veľmi vysoké. Poškodenie tohto typu spôsobí vysoké náklady na opravu.

ÚDRŽBA

Všetky opravy a údržba sa musia vykonávať až po odpojení čerpadla od napájacej siete.

Odporúča sa pravidelné čistenie plaváka ovládajúceho elektronický hladinový spínač.

Postupujte nasledovne :

- Otvorte plavákový kryt (**Obr. 8**);
- Odstráňte plavák (**Obr. 8a**), vyčistite ho prúdom vody, prípadne pomocou mäkkej kefy. Tiež vyčistite uloženie, ak je špinavé;
- Znovu vložte plavák nápisom TOP smerom nahor;
- Zatvorte plavákový kryt.

Na bežnú údržbu je postačujúce vyčistiť zostavu rotora. Pre túto operáciu musíte (**Obr. 9**):

- Odskrutkovať štyri križové skrutky prístupné zo spodnej časti mriežky (**Obr. 9a**);
- Odskrutkovať dve križové skrutky (**Obr. 9b**) prístupné odstránením poistky výstupov (**7**);
- Odstrániť špirálu a mriežku (**5**). Takto je možné odstrániť rotor s prírubou (**2**); (**Obr. 10**)
- Vyčistiť komponenty prúdom vody, prípadne pomocou mäkkej kefy. Diely opätovne zostavte vykonaním všetkých vyššie uvedených operácií v opačnom poradí. Pri mimoriadnej údržbe, ktorá zahŕňa výmenu zostavy rotora obežného kolesa (**2**), postupujte podľa predchádzajúceho bodu s tým rozdielom, že na miesto opotrebovanej zostavy rotora obežného kolesa (**2**) namontujete novú zostavu.

POKYNY PRE SPRÁVNU LIKVIDÁCIU PRODUKTU V ZMYSLE EURÓPSKEJ SMERNICE 2002/96/ES

Po skončení životnosti sa produkt nesmie likvidovať s komunálnym odpadom. Môžete ho odovzdať v príslušných strediskách na separovaný zber odpadu určených obecnou správou alebo u predajcov, ktorí poskytujú túto službu. Elektrospotrebič likvidujte samostatne, čím sa zabráni možným negatívnym dôsledkom pre životné prostredie a zdravie, umožniac recykláciu materiálov a významnú úsporu energie.

ZÁRUKA

Na tento produkt, s výnimkou rotora, je záruka na obdobie (3+2) rokov od dátumu nákupu, voči chybám materiálu a spracovaniu. Záručný list musí úplne vyplniť predajca a musí sprevádzať zariadenie v prípade, ak sa toto vráti na opravu, spolu s príjmovým dokladom alebo jeho ekvivalentom. Záruka spočíva vo výmene chybných častí. V prípade nenáležitého použitia, poškodenia alebo nedbanlivosti zo strany kupujúceho alebo používateľa záruka okamžite stráca platnosť. Záruka je neplatná aj v prípade, ak nemáte príjmový doklad o nákupe alebo jeho ekvivalent. Náklady na zaslanie a spätné odoslanie sú na ťarchu kupujúceho.

VYLÚČENIA. Táto záruka sa nevzťahuje na: * Poškodenia vzniknuté v dôsledku nehôd, prepravy, nesprávneho použitia, zneužitia, nedostatku primeranej starostlivosti, iného ako bežného používania výrobku, používania výrobku v neobvyklých pracovných podmienkach alebo akejkoľvek inej poruchy, ktorá nie je dôsledkom vady materiálu alebo spracovania. * Poškodenie spôsobené úpravami, zásahom alebo pokusom o opravu inou osobou ako spoločnosťou Sicce alebo jej oprávneným zástupcom. * Prenos výrobku na inú osobu ako na pôvodného kupujúceho. * Použitie výrobku s inou elektrickou normou (Volt/Hz), ako je uvedené.

ZISTITE, AKO ZÍSKAĤ 5 ROČNÚ ZÁRUKU NA VÁŠ PRODUKT.

S cieľom zlepšiť služby a spokojnosť zákazníkov ponúka spoločnosť SICCE možnosť uplatnenia dodatočnej dvojročnej záruky jednoduchou registráciou výrobku na webovej stránke www.sicce.com v časti "Podpora/ registrácia výrobku".

EN

IT

DE

FR

ES

NL

PT

CZ

SK

RO

PL

SE

DK

NO

ULTRA 9000

37

EN

IT

DE

FR

ES

NL

PT

CZ

SK

RO

PL

SE

DK

NO

Stimate Client,

Vă mulțumim că ați ales ULTRA 9000, o pompă de tip submersibil proiectată și construită pentru a pompa apă cu impurități fără fibre. ULTRA 9000 poate fi utilizat în principal pentru uz casnic cu funcționare continuă sau automată prin intermediul comutatorului de nivel electronic integrat, pentru golirea subsolurilor și a garajelor expuse la inundații, pentru pomparea puturilor de drenaj, pentru pomparea bazinelor de colectare a apei de ploaie sau a infiltrațiilor din jgheaburi, pentru golirea piscinelor sau a acoperirii piscinelor cu ajutorul racordului de aspirație orizontal furnizat. Atunci când este utilizat în mod continuu, ULTRA 9000 este, de asemenea, ideal pentru iazuri, fântâni, cascade, aplicații hidroponice și acvarii.

Pentru a utiliza corect pompa, vă recomandăm să citiți cu atenție și să păstrați următoarele instrucțiuni.

NORME DE SIGURANȚĂ

ULTRA 9000 este produsă în conformitate cu normele naționale și internaționale actuale.

1. Verificați dacă tensiunea de pe eticheta pompei corespunde cu tensiunea de rețea. Aparatul trebuie alimentat cu ajutorul unui întrerupător diferențial (disjunctur) cu un curent nominal inferior sau egal cu 30 mA.
2. Pompele pot fi utilizate doar imersate.
3. Înainte de a conecta aparatul la rețea verificați dacă cablul și pompa nu sunt deteriorate.
4. Pompa este construită cu o conexiune de tip Z. Cablul și ștecherul nu pot fi înlocuite sau reparate; în caz de deteriorare, înlocuiți întregul aparat.
5. **ATENȚIE:** deconectați toate aparatele electrice imersate înainte de a efectua operațiunile de întreținere în apă; în cazul în care ștecherul de conexiune sau prizei de curent sunt umede, decuplați întrerupătorul general înainte de a scoate cablul de alimentare.
6. Pompa nu trebuie să funcționeze fără apă pentru a evita daunele la motor.
7. Pompa poate fi utilizată în lichide sau medii cu o temperatură care nu depășește 35°C / 95°F.
8. Nu utilizați aparatul în alte scopuri decât cele pentru care a fost conceput, cum ar fi de ex. în băi sau pentru aplicații similare.
9. Evitați folosirea pompei cu lichide corozive și abrazive.
10. Dispozitivul poate fi folosit de persoanele (inclusiv copii) cu capacități fizice, senzoriale și mentale reduse doar sub stricta supraveghere a unui adult responsabil.
11. Pentru a evita umezirea ștecherului sau a prizei de curent din cauza picurilor accidentale, pliați cablul sub nivelul prizei (**Fig. A**).
12. Evitați ridicarea pompei folosind cablul de alimentare în timpul instalării și întreținerii.
13. Pompa poate fi utilizată doar pentru aplicațiile menționate.

AVERTIZĂRI

Utilizarea în pivnițe, subsoluri, piscine etc. este permisă numai dacă instalația electrică este prevăzută cu măsurile de siguranță în conformitate cu standardele internaționale în vigoare.

Pompa este echipată cu un mâner de transport, care poate fi folosit și pentru a coborî pompa în puțuri sau în săpături adânci cu ajutorul unei frânghii care trebuie atașată la gaura prezentă.

Pompa nu trebuie să fie transportată, ridicată sau operată suspendată cu ajutorul cablului de alimentare. Orice deteriorare a cablului de alimentare necesită înlocuirea pompei, nu repararea cablului.

Prin urmare, este necesar să se apeleze la personal specializat și calificat care să îndeplinească cerințele reglementărilor în vigoare. De asemenea, ar trebui să se apeleze la personal calificat pentru toate reparațiile electrice, care ar putea provoca daune și vătămări dacă sunt efectuate în mod necorespunzător.

Pompa nu ar trebui să funcționeze niciodată în gol: există totuși o protecție electronică care oprește pompa în caz de funcționare în gol. Producătorul nu este răspunzător pentru funcționarea defectuoasă a pompei în cazul în care aceasta este manipulată sau modificată. În cazul în care fundul bazinului în care urmează să funcționeze pompa este foarte murdar, este recomandabil să se prevadă un suport pe care să se sprijine pompa pentru a evita înfundarea grilei de aspirație.

ULTRA 9000

COMPONENTE

Pompele ULTRA 9000 au fost proiectate pentru a favoriza dezasamblarea aproape totală a componentelor sale, pentru a facilita o utilizare adecvată, o întreținere ușoară și pentru a asigura o durată de viață lungă. Mai jos este prezentată o listă a pieselor individuale și a pieselor de schimb (**Fig. 1**) - desen de ansamblu:

1. Carcasa motorului complet submersibilă, izolată cu rășină bicomponentă
2. Ansamblu rotor cu flanșă, rotor și rulment;
3. Rulmentul ceramic din spate (Cârligul de extras accesorii)
4. Garnituri de cauciuc
5. Spirala, inclusiv grila reglabilă în înălțime prin intermediul celor 4 picioare;
6. Ieșiri interschimbabile: verticală și 90°;
7. Încuietore de siguranță pentru ieșiri;
8. Flotor pentru funcția de pornire-oprire automată;
9. Capac plutitor;
10. Suport de furtun în trepte.

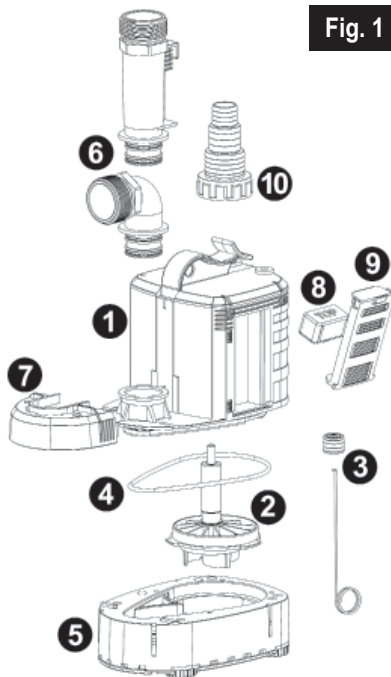


Fig. 1

EN

IT

DE

FR

ES

NL

PT

CZ

SK

RO

PL

SE

DK

NO

ULTRA 9000



VEZI PAGINA 9

INSTALARE - UTILIZARE ȘI REGLARE

Pentru instalarea fizică a pompei trebuie să se urmeze următorii pași:

- Desfășurați cablul de alimentare a pompei într-o zonă în care nu poate fi deteriorat în niciun fel.
- Pregătiți frânghia, dacă este cazul, pentru recuperarea pompei, care trebuie fixată pe gaura din capac (**Fig. 2**).
- Pompa este preasamblată cu ieșirea verticală: dacă doriți să utilizați ieșirea de 90°, urmați instrucțiunile din (**Fig. 3**) Ieșirile au un conector bărbat de 1" ½ GAZ. Este posibil să se conecteze la robinetul de furtun în trepte furnizat sau la orice alt tip de racord cu acest filet;
- Așezați pompa într-o zonă plană și ușor accesibilă pentru întreținere;
- Dacă pompa nu este stabilă, puteți acționa prin reglarea separată a unuia sau mai multor picioare (**Fig. 4**);
- Pentru a aspira apa până la nivelul minim de 5 mm permis de pompă, lăsați grila închisă (**Fig. 5**);
- Dacă nu aveți această cerință, vă recomandăm să reglați grila complet deschisă (**Fig. 6**) pentru o performanță maximă a pompei;
- Setați cursorul pe ON (Activat) dacă doriți să faceți pompa să funcționeze continuu;
- Setați cursorul pe AUTO dacă doriți să utilizați comutatorul de nivel electronic integrat; (**Fig. 7**)

IMPORTANT

Placa electronică încorporată în pompă a fost programată pentru a oferi 3 niveluri de protecție:

- **Protecție rotor blocat:** blocarea sau funcționarea anormală a rotorului ar putea apărea din cauza murdăriei excesive. În acest caz, placa de circuite interne va activa 10 încercări de repornire corectă a pompei. Dacă pompa nu repornește automat după cele 10 încercări, aceasta se va opri. În acest caz, pentru a reporni pompa, va fi necesar să scoateți ștecherul din priză de alimentare, să așteptați aproximativ 10 secunde înainte de a reintroduce fișa.
- **Protecție împotriva funcționării în gol:** protecția motorului în cazul funcționării fără apă. Pompa se oprește dacă funcționează fără apă. Placa de circuite va face 10 încercări de repornire. Dacă încă nu este suficientă apă, pompa va intra în modul stand-by. Pentru a-l reporni, scoateți-l din priză și conectați-l din nou la priză sau deplasați cursorul între ON și AUTO sau așteptați ca nivelul apei să declanșeze

EN

IT

DE

FR

ES

NL

PT

CZ

SK

RO

PL

SE

DK

NO

ULTRA 9000

comutatorului de nivel electronic integrat. Când pompa este scoasă din apă, motorul se oprește.

- **Protecție termică:** intră automat în acțiune pentru a preveni deteriorarea motorului atunci când senzorul încorporat al pompei detectează o creștere semnificativă a temperaturii ambientale.

ATENȚIE! Nu subestimați forța magnetică a ansamblului rotor. Dacă pierdeți din greșeală aderența și axul lovește rulmentul spate din ceramică pură, riscul de deteriorare a rulmentului sau a rulmentului este foarte mare. Astfel de daune duc la costuri de reparații ridicate.

ÎNTREȚINERE

Toate lucrările de reparații și întreținere trebuie efectuate numai după deconectarea pompei de la sursa de alimentare.

Se recomandă curățarea periodică a flotorului care controlează comutatorul de nivel electronic.

Procedați în felul următor :

- Deschideți capacul flotorului (**Fig. 8**);
- Îndepărtați flotorul (**Fig. 8a**), curățați-l sub un jet de apă cu ajutorul unei perii moi, dacă este necesar. De asemenea, curățați scaunul dacă este murdar;
- Introduceți din nou flotorul cu marcajul TOP orientat în sus;
- Închideți capacul flotorului.

Pentru întreținerea de rutină, este suficientă curățarea ansamblului rotorului. Pentru această operațiune trebuie să (**Fig. 9**):

- Deșurubați cele patru șuruburi cu cap în cruce accesibile din partea inferioară a grilei (**Fig. 9a**);
- Deșurubați cele două șuruburi cu cap în cruce (**Fig. 9b**) accesibile prin îndepărtarea dispozitivului de blocare de siguranță a prizei (**7**);
- Îndepărtați spirala și grila (**5**). Rotorul complet cu flanșa (**2**) poate fi apoi îndepărtat; (**Fig. 10**).
- Curățați componentele sub un jet de apă, folosind o perie moale dacă este necesar. Reasamblați piesele efectuând toate operațiunile de mai sus în ordine inversă. În cazul unei întrețineri extraordinare care implică înlocuirea unității rotor-elice (**2**), se procedează ca la punctul anterior, cu excepția faptului că trebuie montată o nouă unitate rotor-elice (**2**) în locul celei uzate.

AVERTISMENTE PRIVIND CASAREA CORECTĂ A PRODUSULUI ÎN TEMEIUL DIRECTIVEI EUROPENE 2002/96/CE

La finalul duratei de viață, produsul nu trebuie eliminat împreună cu reziduurile municipale. Acesta poate fi dus la centrele locale de colectare diferențiată sau la distribuitorii care furnizează acest serviciu. Eliminarea separată a unui produs electrocasnic permite evitarea posibilelor consecințe negative pentru mediu sau sănătate, favorizând recuperarea materialelor și o economie importantă de energie.

GARANȚIE

Acest produs, exclusiv rotorul, este garantat o perioadă de (3+2) ani de la data achiziției, împotriva defectelor de material și manoperă. Certificatul de garanție trebuie completat integral de revânzător și trebuie să însoțească aparatul în cazul în care este restituit pentru reparație, împreună cu factura fiscală sau un document echivalent. Garanția constă în înlocuirea pieselor defecte. În cazul unei utilizări inadecvate, folosirii incorecte sau neglijenței din partea cumpărătorului sau utilizatorului, garanția este anulată imediat. Garanția este anulată și în cazul absenței facturii fiscale de achiziție sau a unui document echivalent. Cheltuielile de transport și retur revin cumpărătorului.

LIMITE GARANȚIE. Această garanție nu acoperă următoarele: * Deteriorările rezultate în urma accidentelor, transportului, utilizării necorespunzătoare, abuzului, lipsei de îngrijire rezonabilă, utilizării produsului în alte condiții decât cele normale sau obișnuite, utilizării produsului în condiții de lucru anormale sau orice altă defecțiune care nu rezultă din defecte de materiale sau de manoperă. * Deteriorări rezultate în urma modificărilor, manipularilor sau încercărilor de reparații efectuate de către o altă persoană decât Sicce sau reprezentantul autorizat al acesteia. * Transferul produsului către o altă parte decât cumpărătorul original. * Utilizarea produsului cu un standard electric diferit (Volt/Hz) față de cel indicat.

AFLAȚI CUM SĂ OBTINEȚI O GARANȚIE DE 5 ANI PENTRU PRODUSUL DUMNEAVOASTRA.

Pentru a îmbunătăți serviciile și satisfacția clienților, SICCE oferă posibilitatea de a solicita o garanție suplimentară de doi ani, prin simpla înregistrare a produsului pe site-ul www.sicce.com, la sesiunea "Suport/înregistrare produs".

Drogi Kliencie,

DZIEKUJEMY za wybór pompy głębinowej ULTRA 9000, zaprojektowanej i zbudowanej do pompowania mętnej wody bez włókien. Pompa ULTRA 9000 jest przeznaczona głównie do użytku domowego, do ciągłej lub automatycznej pracy za pomocą zintegrowanego elektronicznego przełącznika poziomu, do opróżniania piwnic i garaży narażonych na zalanie, do wypompowywania studzienek drenarskich, zbiorników na deszczówkę lub wycieków z rynien, do opróżniania basenów lub pokryw basenowych przy pomocy dołączonego poziomego przyłącza ssącego. Przy ciągłym stosowaniu pompa ULTRA 9000 idealnie nadaje się również do oczek wodnych, fontann, wodospadów, systemów hydroponicznych i akwariów.

Aby prawidłowo korzystać z pompy, zalecamy uważnie przeczytać i zachować poniższą instrukcję obsługi.

ZASADY BEZPIECZEŃSTWA

Pompa **ULTRA 9000** została zaprojektowana i zbudowana zgodnie z obowiązującymi krajowymi i międzynarodowymi standardami bezpieczeństwa.

1. Sprawdzić, czy napięcie wskazane na tabliczce pompy odpowiada wartości napięcia sieciowego. Urządzenie musi być zasilane przez wyłącznik różnicowo-prądowy (wyłącznik przeciwporażeniowy), o znamionowym prądzie nieprzekraczającym lub równym 30 mA.
2. Pompy mogą być użytkowane tylko zanurzone w wodzie.
3. Przed podłączeniem urządzenia do sieci zasilania elektrycznego należy upewnić się, że kabel zasilający i pompa nie są uszkodzone.
4. Pompa została zbudowana z połączenia typu Z. Kabel zasilający i wtyczka nie mogą być wymienione lub naprawione. W przypadku ich uszkodzenia niezbędna jest wymiana całego urządzenia.
5. **UWAGA:** przed przystąpieniem do jakichkolwiek prac konserwacyjnych w wodzie należy odłączyć wszystkie zanurzone urządzenia elektryczne. W przypadku zamoczenia wtyczki lub gniazdka, przed odłączeniem kabla zasilającego należy wyłączyć główny wyłącznik.
6. Pompa nigdy nie może pracować bez cieczy ze względu na ryzyko uszkodzenia silnika.
7. Pompa może być użytkowana w cieczach lub środowiskach o temperaturze nieprzekraczającej 35°C / 95°F.
8. Zabrania się wykorzystywania urządzenia do celów innych niż te, dla których zostało zaprojektowane i wykonane, np. w łazienkach lub do podobnych zastosowań.
9. Unikać pompowania cieczy z cząstkami korozyjnymi lub ściernymi.
10. Opisane urządzenie nie jest przeznaczone do użytkowania przez osoby (w tym dzieci) o ograniczonych zdolnościach fizycznych, zmysłowych lub psychicznych chyba, że będą nadzorowane przez osobę odpowiedzialną za ich bezpieczeństwo.
11. Aby zapobiec przypadkowemu zamoczeniu wtyczki lub gniazdka elektrycznego przez ciecz, pozostawić wolny odcinek kabla opadający poniżej poziomu gniazdka (**Rys. A**).
12. Nie podnosić pompy za kabel zasilający w trakcie montażu i konserwacji.
13. Pompa może być użytkowana wyłącznie do wskazanych zastosowań.

OSTRZEŻENIA

Użytkowanie w piwnicach, suterenach, basenach itp. jest dozwolone tylko wtedy, gdy instalacja elektryczna jest zabezpieczona zgodnie z obowiązującymi normami międzynarodowymi.

Pompa jest wyposażona w uchwyt umożliwiający przenoszenie, który może być również używany do opuszczania jej do studni lub głębokich wykopów za pomocą liny, mocowanej do otworu.

Zabrania się przenoszenia, podnoszenia lub uruchamiania pompy zawieszanej na kablu zasilającym. Wszelkie uszkodzenia kabla zasilającego wymagają wymiany pompy; nie naprawiać kabla.

W tym celu należy zwrócić się do wykwalifikowanego personelu posiadającego kompetencje wymagane przez obowiązujące przepisy. Wykwalifikowany personel powinien również wykonywać wszystkie naprawy elektryczne, które mogą być przyczyną uszkodzeń i obrażeń, jeśli zostaną źle wykonane.

Pompa nie powinna nigdy pracować na sucho: istnieje jednak elektroniczne zabezpieczenie, które wyłączy ją w przypadku działania na sucho. Producent nie ponosi odpowiedzialności za nieprawidłowe działanie pompy w wyniku samowolnie wykonanych zmian lub napraw. Jeżeli dno studzienki, w której będzie pracować pompa, jest mocno zabrudzone, zaleca się ustawienie podpory, na której będzie ona ustawiona, aby uniknąć zatkania kratki ssącej.

EN

IT

DE

FR

ES

NL

PT

CZ

SK

RO

PL

SE

DK

NO

ULTRA 9000

EN

IT

DE

FR

ES

NL

PT

CZ

SK

RO

PL

SE

DK

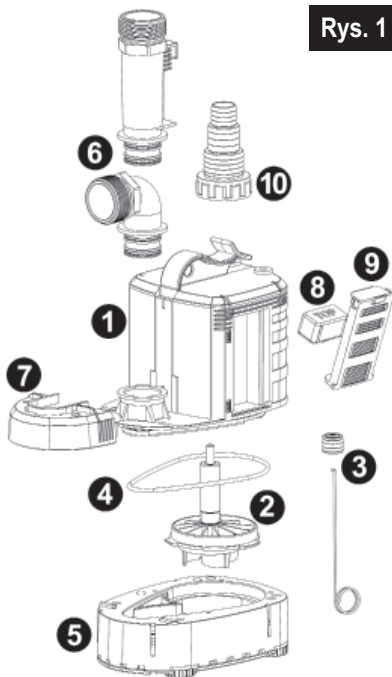
NO

ULTRA 9000

KOMPONENTY

Pompy ULTRA 9000 zostały zaprojektowane z myślą o niemal całkowitym demontażu ich komponentów, aby ułatwić prawidłowe użytkowanie, łatwą konserwację i zapewnić długą żywotność. Poniżej wskazano listę komponentów oraz części zamiennych (**Rys. 1**) -widok rozłożony:

1. W pełni zatapialna obudowa silnika, izolowana dwuskładnikową żywicą
2. Zespół wirnika z kołnierzem, wirnikiem napędzanym łożyskami;
3. Tylne łożysko ceramiczne (Pazur do wyciągania akcesoriów)
4. Gumowe uszczelki
5. Spirala z siatką o regulowanej wysokości za pomocą 4 nóżek;
6. Wymienne wyloty: pionowy i 90°;
7. Blokada bezpieczeństwa wylotów;
8. Pływak do automatycznego włączania i wyłączania;
9. Pokrywa pływaka;
10. Stopniowy łącznik węża.



Rys. 1



**PATRZ
STRONA 9**

INSTALACJA - UŻYTKOWANIE I REGULACJA

W celu fizycznego zainstalowania pompy należy wykonać następujące czynności:

- Rozwinąć kabel zasilający w miejscu, w którym nie zostanie on w żaden sposób uszkodzony.
- Zapewnić ewentualną linę do wyciągania pompy, którą należy przymocować do otworu na pokrywie (**Rys. 2**).
- Pompa jest wstępnie zmontowana z wylotem pionowym: jeśli chce się użyć wylotu 90°, postępować zgodnie z instrukcjami na (**Rys. 3**) Wyloty posiadają gwint zewnętrzny 1" ½ GAS. Do gwintu można podłączyć dostarczony stopniowy łącznik węża lub dowolny inny typu łącznika;
- Pompę należy umieścić w płaskim miejscu, łatwo dostępnym w razie konserwacji;
- Jeśli pompa nie jest stabilna, można oddzielnie wyregulować jedną lub kilka nóżek (**Rys. 4**);
- Aby zassać wodę do minimalnego poziomu 5 mm dopuszczalnego przez pompę, pozostawić zamkniętą kratkę (**Rys. 5**);
- Jeśli nie ma takiego wymogu, zaleca się całkowite otwarcie kratki (**Rys. 6**) w celu uzyskania maksymalnej wydajności pompy;
- Ustawić suwak w pozycji ON, jeśli chce się, aby pompa pracowała w sposób ciągły;
- Ustaw suwak w pozycji AUTO, jeśli chce się korzystać z wbudowanego elektronicznego przełącznika poziomu; (**Rys. 7**)

WAŻNE

Płytkę elektroniczną pompy została zaprogramowana tak, aby zapewnić 3 poziomy ochrony:

- **Ochrona w przypadku zablokowaniem rotora:** zablokowanie lub nieprawidłowe działanie rotora może być spowodowane nadmiernym brudem. W takim przypadku wewnętrzny układ elektroniczny podejmie 10 prób prawidłowego ponownego uruchomienia pompy. Jeśli pompa nie uruchomi się automatycznie po 10 próbach, nastąpi jej wyłączenie. W takim przypadku, w celu ponownego uruchomienia pompy, konieczne będzie wyjęcie wtyczki zasilacza z gniazda i odczekanie około 10 sekund przed jej ponownym włożeniem.
- **Ochrona przed pracą na sucho:** ochrona silnika w przypadku pracy bez wody. Pompa zatrzymuje się, jeśli pracuje bez wody. Płytkę elektroniczną podejmie 10 prób ponownego uruchomienia. Jeśli nadal nie będzie wystarczającej ilości wody, pompa do trybu stand-by. Aby ją ponownie uruchomić, należy

odłączyć i ponownie podłączyć lub przesunąć suwak pomiędzy ON i AUTO, lub poczekać, aż poziom wody uruchomi zintegrowany elektroniczny przełącznik poziomu. Silnik zatrzymuje się po wyciągnięciu pompy z wody

- **Ochrona termiczna:** uruchamia się automatycznie, aby zapobiec uszkodzeniu silnika, gdy wbudowany czujnik pompy wykryje znaczny wzrost temperatury otoczenia.

OSTRZEŻENIE! Nie lekceważyc siły magnetycznej zespołu rotora. Jeśli przypadkowo straci się przychepność i walek uderzy w tylne łożysko ceramiczne, ryzyko uszkodzenia wałka lub łożyska jest bardzo wysokie. Takie uszkodzenia prowadzą do wysokich kosztów naprawy.

KONSERWACJA

Wszelkie czynności naprawcze i konserwacyjne należy przeprowadzać wyłącznie po odłączeniu pompy od źródła zasilania.

Zaleca się okresowe czyszczenie pływaka sterującego elektronicznym przełącznikiem poziomu.

Wykonać następujące czynności :

- Otworzyć pokrywę pływaka (**Rys. 8**);
- Wyjąć pływak (**Rys. 8a**), wyczyścić go strumieniem wody, używając ewentualnie miękkiej szczotki. Wyczyścić również gniazdo, jeśli jest zabrudzone;
- Ponownie włożyć pływak z oznaczeniem TOP skierowanym do góry;
- Zamknąć pokrywę pływaka.

Rutynowa konserwacja ogranicza się do czyszczenia zespołu rotora. W celu wykonania tej czynności należy (**Rys. 9**):

- Odkręć cztery śruby dostępne od spodu kratki (**Rys. 9a**);
- Odkręć dwie śruby (**Rys. 9b**) dostępne po zdjęciu blokady bezpieczeństwa wylotu (**7**);
- Wyjąć spiralę i kratkę (**5**). Można zdjąć rotor wraz z kołnierzem (**2**) (**Rys. 10**)
- Wyczyścić komponenty strumieniem wody, używając ewentualnie miękkiej szczotki. Ponownie zmontować części, wykonując wszystkie wskazane czynności w odwrotnej kolejności. W przypadku konserwacji nadzwyczajnej obejmującej wymianę zespołu rotora-wirnika (**2**) należy postępować jak w poprzednim punkcie, z tą różnicą, że nowy zespół rotora-wirnika (**2**) musi być zamontowany w miejsce zużytego.

UWAGI DOTYCZĄCE PRAWIDŁOWEJ UTYLIZACJI PRODUKTU ZGODNIE Z DYREKTYWĄ EUROPEJSKĄ 2002/96/WE

Po zakończeniu okresu eksploatacji nie wolno wyrzucać produktu wraz z odpadami komunalnymi. Można go dostarczyć do specjalnych punktów zbiórki odpadów utworzonych przez administrację miejską lub przekazać sprzedawcom detalicznym, którzy świadczą tę usługę. Odrębna utylizacja zużytego sprzętu pochodzącego z gospodarstwa domowego pozwala uniknąć negatywnych skutków dla środowiska i zdrowia, sprzyjając odzyskowi materiałów i znacznej oszczędności energii.

GWARANCJA

Opisany produkt, z wyjątkiem wirnika, jest objęty gwarancją na (3+2) lata licząc od daty zakupu, na wady materiałowe i fabryczne. Karta gwarancyjna musi być wypełniona w całości przez sprzedawcę i załączona do urządzenia w przypadku jego zwrotu do naprawy wraz z paragonem lub innym dowodem zakupu. Gwarancja obejmuje wymianę wadliwych części. W przypadku niewłaściwego użytkowania, wykonania modyfikacji lub zaniedbania ze strony nabywcy lub użytkownika, gwarancja natychmiast traci ważność. Ponadto gwarancja traci ważność w przypadku braku paragonu lub innego dowodu zakupu. Koszty wysyłki i zwrotu ponosi Klient.

WYKLUCZENIA. Niniejsza gwarancja nie dotyczy: * Uszkodzenia wynikającego z wypadków, transportu, niewłaściwego użytkowania, nadużycia, braku należytej staranności, użytkowania produktu w sposób inny niż wskazany, użytkowania produktu w nieprawidłowych warunkach pracy lub jakiegokolwiek innej awarii, która nie wynika z wad materiałowych lub wykonawczych. * Uszkodzenia wynikającego ze zmian, ingerencji lub prób naprawy przeprowadzonych przez osoby inne niż personel Sicce lub jej autoryzowany przedstawiciel. * Przekazania produktu osobie innej niż pierwotny nabywca. * Użytkowanie produktu w innym standardem elektrycznym (Volt/Hz) niż wskazany.

DOWIEDZ SIĘ, JAK UZYSKAĆ 5-LETNIA GWARANCJĘ NA SWÓJ PRODUKT.

Aby poprawić jakość obsługi i zadowolenie Klientów, firma SICCE oferuje możliwość ubiegania się o dodatkowe 2 lata gwarancji. Wystarczy zarejestrować produkt na stronie internetowej www.sicce.com w sesji „Wsparcie/Rejestracja produktu”.

EN

IT

DE

FR

ES

NL

PT

CZ

SK

RO

PL

SE

DK

NO

ULTRA 9000

EN

IT

DE

FR

ES

NL

PT

CZ

SK

RO

PL

SE

DK

NO

ULTRA 9000

Bäste kund,

TACK för att du har valt ULTRA 9000, en pump av dränkbar typ som utvecklats och konstruerats för att pumpa grumligt vatten utan fibrer. ULTRA 9000 kan användas framför allt i hemmet i kontinuerlig eller automatisk drift genom den inkomponerade brytaren på elektronisk nivå för att dränera källare och garage som är föremål för översvämning, för pumpning av brunnar avsedda för uppsamling av regnvatten eller infiltrationer från stuprännor, för att tömma simbassänger eller simbassängspresningar med hjälp av den horisontella medföljande kopplingen. Om den används kontinuerligt är ULTRA 9000 idealisk för dammar, fontäner, vattenfall, hydroponiska applikationer och akvarier.

För att korrekt använda din pump rekommenderar vi att du noga läser och bevarar följande instruktioner

SÄKERHETSFORESKRIFTER

1. Ultra 9000 har tillverkats enligt aktuella nationella och internationella säkerhetsföreskrifter.
2. Kontrollera att den spänning som anges på pumpens etikett motsvarar nätspänningen. Apparaten ska försörjas genom en jordfelsbrytare (skyddsomkopplare) vars nominella ström underskrider eller motsvarar 30mA.
3. Pumpen kan användas helt eller delvis nedsänkt.
4. Innan du ansluter apparaten till nätet ska du kontrollera att kabeln och pumpen inte är skadade på något sätt.
5. Pumpen är konstruerad med en anslutning av typ Z. Kabeln och kontakten får inte bytas ut eller repareras; i händelse av skada ska hela apparaten bytas ut.
6. **VARNING:** koppla bort alla nedsänkta elektriska apparater innan du utför någon form av underhåll i vattnet; om kontakten eller uttaget skulle vara blöta ska du slå av huvudströmbrytaren innan du tar bort försörjningskabeln.
7. Pumpen får aldrig användas utan vatten för att förhindra skador på motorn.
8. Pumpen kan användas i våtskor eller omgivningnar med en temperatur som inte överskrider 35° C / 95° F.
9. Använd inte apparaten i andra syften än de för vilka den tillverkats, som t.ex i badrum eller liknande.
10. Undvik att använda pumpen med frätande och nötande våtskor.
11. Denna enhet har inte utvecklats för att användas av personer (inklusive barn) med nedsatt fysisk, sensorisk eller psykisk förmåga såvida de inte står under tillsyn av personer som ansvarar för deras säkerhet.
12. För att förhindra att oavsiktligt dropp fuktat kontakten eller uttaget ska du utföra en ögla med kabeln under uttagets nivå (**Fig. A**).
13. Undvik att lyfta pumpen med försörjningskabeln under installation och underhåll.
14. Pumpen får endast användas för ovanstående tillämpningar.

VARNINGAR

Användning i källare, källarvåningar, simbassänger osv. är tillåten endast om elsystemet utmärks av säkerhetsmått enligt gällande internationella standarder.

Pumpen är försed med ett handtag för transport, som även kan användas för att sänka ner den i brunnar eller djupa utgrävningar med hjälp av ett rep som ska fästas i det förekommande hålet.

Pumpen får inte transporteras, lyftas eller drivas upphängd i försörjningskabeln. Eventuella skador på försörjningskabeln kräver byte av pumpen och inte reparation av kabeln.

Det är därför nödvändigt att använda sig av specialiserad och kvalificerad personal som besitter de egenskaper som krävs i gällande bestämmelser. Det är lämpligt att använda kvalificerad personal även för alla elektriska reparationer som, om de skulle utföras fel, skulle kunna orsaka skador och personsador.

Pumpen får aldrig drivas torr, det finns dock ett elektroniskt skydd som släcker pumpen om den skulle drivas torr. Tillverkaren ansvarar inte för pumpens drift om denna skulle manipuleras eller modifieras. Om brunnens botten, där pumpen ska användas, skulle vara mycket smutsig, är det lämpligt att förutse att stöd där pumpen kan placeras för att förhindra att aspirationsgallret igensätts,

KOMPONENTER

Pumparna ULTRA 9000 har utvecklats så att dess komponenter kan delas upp nästan helt för att underlätta korrekt användning, enkelt underhåll och garantera en lång varaktighet i tiden. Nedan följer listan över enskilda delar och tillhörande reservdelar (**Fig. 1**) - sprängskiss

1. Motorenhet som kan dränkas helt och som är isolerad med tvåkomponentsharts.
2. Rotorenhet med fläns, impeller och lager;
3. Keramiklager bak (utdragningskrok som tillbehör)
4. Gummipackningar
5. Spiral som omfattar ett galler som kan höjddjusterad med hjälp av 4 fötter;
6. Utbytbara utgångar: vertikal och i 90°;
7. Säkerhetslås för utgångarna;
8. Flottör för automatisk funktion ON-OFF
9. Flytande lock;
10. Graderad slanghållare.

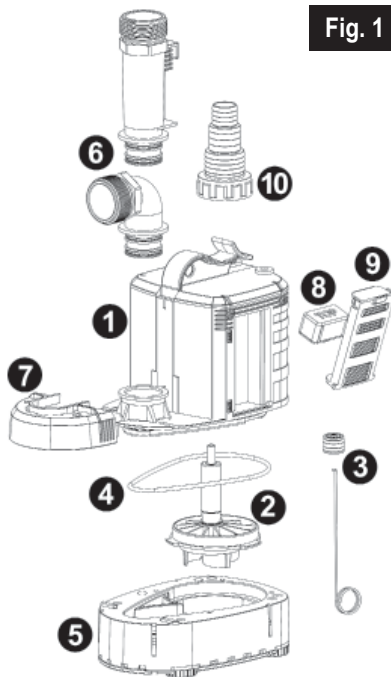


Fig. 1

EN

IT

DE

FR

ES

NL

PT

CZ

SK

RO

PL

SE

DK

NO

ULTRA 9000



SE SIDAN 9

INSTALLATION - ANVÄNDNING OCH JUSTERING

För fysisk installation av pumpen ska du göra som följer:

- Rulla ut pumpens försörjningskabel i ett område där den inte kan skadas på något sätt.
- Förutse det eventuella repet, för återhämtning av pumpen, som ska fästas i locket hål (**Fig. 2**).
- Pumpen är förmonterad mer vertikal utgång: om du skulle vilja använda utgången i 90°, ska du följa anvisningarna i (**Fig. 3**). Utgångarna är försedda med en hangänga på 1" 1/2 GAS. Du kan ansluta den graderade slanghållaren eller vilken annan typ av koppling som helst med den gången.
- Placera pumpen i ett platt område som är lättillgängligt för underhållsingrepp;
- Om pumpen inte skulle vara stabil kan du ingripa och justera en eller flera fötter separat (**Fig. 4**);
- För att suga upp vattnet till den miniminivå på 5 mm som pumpen tillåter, ska du lämna galleret stängt (**Fig. 5**);
- Om du inte har detta behov, rekommenderas det att du reglerar galleret helt öppet (**Fig. 6**) för att uppnå pumpens högsta prestanda;
- Placera markören på ON om du vill att pumpen arbetar kontinuerligt;
- Placera markören på AUTO om du vill utnyttja den inkommerade elektroniska nivåbrytaren (**Fig. 7**);

VIKTIGT

Det elektroniska kort som är inkommerat i pumpen har programmerats för att garantera 3 skyddsnivåer:

- **Skydd i händelse av blockerad rotor:** blockering eller funktionsstörning i rotorn skulle kunna inträffa på grund av överdrivet smuts. I detta fall aktiverar det interna elektroniska kortet 10 försök för att få pumpen att gå igång korrekt. Om pumpen efter 10 försök inte skulle gå igång automatiskt så släcks den. I detta fall, för att få igång pumpen, måste du dra ut strömförsörjningskontakten ur uttaget, vänta i cirka 10 sekunder och sen sätta i kontakten igen.
- **Skydd mot torrkörning:** skydd av motorn i händelse av drift utan vatten. Pumpen stannar om den skulle vara igång utan vatten. Det elektroniska kortet gör 10 försök att starta den igen. Om det fortfarande inte skulle finna tillräckligt med vatten, går pumpen i standby. För att få igång den på nytt ska du dra ut och sätta i kontakten igen eller flytta markören från ON till AUTO eller vänta tills vattennivån gör att den inkommerade elektroniska nivåbrytaren ingriper. Om pumpen dras ut ur vattnet så stannar motorn.

EN

IT

DE

FR

ES

NL

PT

CZ

SK

RO

PL

SE

DK

NO

ULTRA 9000

- **Termiskt skydd:** detta träder i funktion automatiskt för att förebygga skador på motorn när den sensor, som inorporerats i pumpen, avläser en betydande höjning av miljötemperaturen.

WARNING! Underskatta inte rorenhetens magnetiska kraft. Om du oavsiktligt skulle tappa greppet något och axeln stöter emot det bakre lagret i ren keramik, är risken för att skada densamma eller lagret mycket stor. En skada av denna typ medför höga reparationskostnader.

UNDERHÅLL

Alla reparations- och underhållsgrepp får endast utföras efter att ha kopplat bort pumpen från försörjningsnätet. Det rekommenderas att utföra en periodisk rengöring av den flottör som styr den elektroniska nivåbrytaren. Gör som följer:

- Öppna flottörens lock (**Fig. 8**);
- Dra ut flottören (**Fig. 8a**), rengör den under rinnande vatten och ta eventuellt hjälp av en mjuk borste. Rengör även sätet om det skulle vara smutsigt;
- För på nytt in flottören med texten TOP uppåt;
- Stäng flottörens lock.

För rutinunderhåll räcker det att rengöra rorenheten. För detta ingrepp ska du (**Fig. 9**):

- Skruva loss de fyra tvärskruvarna som du kommer åt från gallrets botten (**Fig. 9a**);
- Skruva loss de två tvärskruvarna (**Fig. 9b**) som du kommer åt genom att ta bort utgångarnas säkerhetsblock (**7**);
- Ta bort spiralen och gallret (**5**). Nu kan du dra ut rotorn tillsammans med flänsen (**2**); (**Fig. 10**)
- Rengör komponenterna under rinnande vatten och ta eventuellt hjälp av en mjuk borste. Montera tillbaka delarna genom att utföra ovanstående ingrepp i omvänd ordning. För extraordinärt underhåll som förutsätter byte av enheten rotor-impeller (**2**) gör som i föregående punkt förutom att du monterar en ny rotor-impellerenhet (**2**) i stället för den slitna.

ANVISNINGAR FÖR KORREKT BORTSKAFFANDE AV PRODUKTEN ENLIGT DET EUROPEISKA DIREKTIVET 2002/96/EG

Efter avslutad livslängd får produkten inte bortskaffas tillsammans med hushållsavfall. Den kan överlämnas till särskilda kommunala alarmeringscentraler eller till återförsäljare som tillhandahåller denna tjänst. Källsortering av en hushållsapparat gör det möjligt att förhindra negativa konsekvenser för miljö och hälsa och främja återvinning av material samt medföra en betydande energibesparing.

GARANTI

SICCE garanterar denna produkt mot material- och bearbetningsfel för en period av fem (3+2) år från ursprungligt inköpsdatum med undantag för pumpens rotor, som garanteras för en period på sex (6) månader. Denna garanti är begränsad till reparation eller byte av den defekta produkten (enligt Sicces gottfinnande) och täcker inte: förlust av fiskar och/eller växter i akvariet, personskador, skador p.g.a. slitage, transportskador osv. eller skador som härrör från felaktig användning av produkten. För att validera garantin måste du förvara inköpsbeviset i original. All garanti som omfattas här ska utföras samtidigt med, och inte som tillägg till, en eventuell minsta garantiperiod som fastställts i lag. Klagomål under garanti ska framföras till den återförsäljare hos vilken du köpt produkten. Underlåtenhet att framlägga inköpsbeviset tillsammans med klagomålet kommer att ogiltigförklara garantin. Om du inte skulle kunna kontakta återförsäljaren kan du gå in på webbplatsen www.sicce.com för att begära assistans. Även i detta fall är inköpsbeviset ett grundläggande krav för procedurens fortsättning. Du måste erhålla ett "Godkännande för att returnera varor" vid framläggande av klagomålet innan du skickar någon produkt under garanti eller begär teknisk assistans. Försändningskostnaderna från och till assistans- eller reparationsstället tillfaller köparen.

UTESLUTNINGAR Denna garanti täcker inte följande: * skador som härrör från olyckshändelser, transport, felaktig användning, missbruk, avsaknad av rimlig skötsel, användning av produkten på annat sätt än det normala eller ordinära, användning av produkten under onormala driftförhållanden eller eventuella andra fel som inte härrör från material eller bearbetning. * Skador som härrör från modifieringar, manipuleringar eller reparationsförsök som utförts av andra än Sicce eller en person som auktoriserats av detsamma. * Överföring av produkten till en annan person än den ursprungliga köparen. * Användning av produkten med annan elektrisk standard (Volt/Hz) än den som angetts.

UPPTÄCK HUR DU KAN FÅ 5 ÅRS GARANTI PÅ DIN PRODUKT.

För att förbättra vår service och kundernas tillfredsställelse erbjuder SICCE möjligheten att tillämpa 2 års extra garanti helt enkelt genom att registrera produkten på webbplatsen www.sicce.com i sektionen "Support/ Produktregistrering".

Kære kunde,

TAK fordi du har valgt ULTRA 9000, en dykpumpe designet og bygget til at pumpe grumset vand uden fibre. ULTRA 9000 kan hovedsageligt anvendes til husholdningsbrug med kontinuerlig eller automatisk drift via den integrerede elektroniske niveauafbryder, til dræning af kældre og garager udsat for oversvømmelser, til pumpning af drænbrønde, til pumpning af regnvandsopsamlingsbrønde eller infiltrationer fra tagrender, til tømnning af svømmebassiner eller overdækninger ved hjælp af det medfølgende vandrette sugearmatur. Hvis den bruges kontinuerligt, er ULTRA 9000 også ideel til damme, springvand, vandfald, hydroponiske apparater og akvarier.

For at bruge din pumpe korrekt, råder vi dig til omhyggeligt at læse og gemme følgende brugsanvisning.

SIKKERHEDSSTANDARDE

ULTRA 9000 er produceret i overensstemmelse med gældende nationale og internationale sikkerhedsstandarder.

1. Kontroller, at spændingen vist på pumpens dataskilt svarer til netspændingen. Apparatet skal forsynes med strøm via en differentialafbryder, hvis mærkestrømmen er mindre end eller lig med 30mA.
2. Pumpen kan bruges delvist eller helt nedsænket.
3. Før du tilslutter apparatet til strømforsyningen, skal du kontrollere, at ledningen og pumpen ikke er beskadiget på nogen måde.
4. Pumpen er bygget med en Z-type tilslutning. Ledningen og stikket kan ikke udskiftes eller repareres. I tilfælde af skade skal hele apparatet udskiftes.
5. **OBS.:** afbryd alle nedsænkede elektriske apparater, før der udføres nogen form for vedligeholdelse i vandet. Hvis tilslutningsstikket eller stikket er vådt, skal du slukke for hovedafbryderen, før du trækker strømkablet ud.
6. Pumpen må aldrig køre uden vand for at undgå beskadigelse af motoren.
7. Pumpen kan bruges i væsker eller i miljøer med temperaturer, der ikke overstiger 35°C / 95°F.
8. Brug ikke apparatet til andre formål end dem, det er designet til, f.eks. i badeværelser eller lignende.
9. Undgå at betjene pumpen med ætsende og slibende væsker.
10. Denne enhed er ikke designet til at blive brugt af personer (herunder børn) med nedsatte fysiske, sensoriske og mentale evner, medmindre de er ledsaget af personer, der er ansvarlige for deres sikkerhed.
11. For at forhindre, at utilsigtet dryp kan gøre stikket eller stikkontakten våd, anbefales det at lave en løkke under stikkontaktens niveau med kablet (**Fig. A**).
12. Undgå at løfte pumpen ved at holde i strømkablet under installation og vedligeholdelse.
13. Pumpen kan kun bruges til ovenstående anvendelser.

ADVARSLER

Brug i kældre, svømmebassiner mv. er kun tilladt, hvis det elektriske system er kendetegnet ved sikkerhedsforanstaltninger i henhold til gældende internationale regler.

Pumpen er udstyret med et bærehåndtag, som også kan bruges til at sænke den ned i brønde eller dybe udgravninger ved hjælp af et reb, der skal fastgøres i det relevante hul.

Pumpen må ikke transporteres, løftes eller betjenes ophængt i strømkablet. Enhver skade på strømkablet kræver udskiftning af pumpen og ikke reparation af kablet.

Det er derfor nødvendigt at gøre brug af specialiseret og kvalificeret personale, der er i besiddelse af de krav, der kræves af gældende regler. Der bør også anvendes kvalificeret personale til alle elektriske reparationer, som, hvis de ikke udføres forkert, kan forårsage skader og kvæstelser.

Pumpen må aldrig køres tør: der er dog en elektronisk beskyttelse, der slukker for pumpen i dette tilfælde. Producenten er ikke ansvarlig for funktionsfejl på pumpen, hvis den er blevet manipuleret eller modificeret. I tilfælde af at bunden af sumpen, hvor pumpen skal fungere, er meget snavset, er det tilrådeligt at tilvejebringe en støtte til at placere pumpen på for at undgå blokeringer i sugeristen.

EN

IT

DE

FR

ES

NL

PT

CZ

SK

RO

PL

SE

DK

NO

ULTRA 9000

EN

IT

DE

FR

ES

NL

PT

CZ

SK

RO

PL

SE

DK

NO

ULTRA 9000

KOMPONENTER

ULTRA 9000 pumperne er designet således, at dens komponenter næsten fuldstændigt kan adskilles fra hinanden, for at lette korrekt brug, enkel vedligeholdelse og sikre lang levetid. Nedenfor er listen over de enkelte komponenter og tilhørende reservedele (**Fig. 1**) - eksploderet billede:

1. Motorkrop helt nedsænkelig og isoleret med to-komponent harpiks
2. Rotoren med flange, pumpehjul og leje;
3. Bageste keramiske pude (tilhører til udtrækskrog)
4. Pakninger i gummi
5. Spiralhus inklusive gitter, som kan justeres i højden ved hjælp af 4 støttefødder;
6. Udskiftelige udtag: lodret og ved 90°;
7. Sikkerhedsblok til udgangene;
8. Flyder til automatisk ON-OFF funktion;
9. Flydedæksel;
10. Graderet slangeholder.

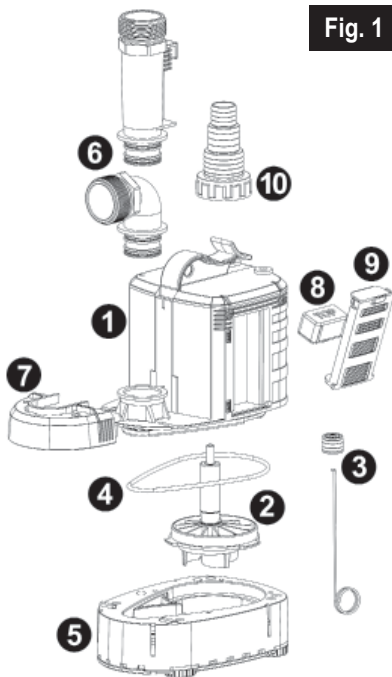


Fig. 1



SE SIDE 9

INSTALLATION - ANVENDELSE OG INDSTILLING

For den fysiske installation af pumpen er det nødvendigt at gå frem som følger:

- Rul pumpens strømkabel ud i et område, hvor det ikke kan beskadiges på nogen måde.
- Sørg for, at et eventuelt reb til at trække pumpen op fastgøres til hullet i dækslet (**Fig. 2**).
- Pumpen er på forhånd monteret med et lodret udløb: hvis du ønsker at bruge det på 90°, skal du følge instruktionerne i (**Fig. 3**). Udløbene har et 1" ½ GAS udvendigt gevind. Det er muligt at forbinde den medfølgende graderede slangeforbindelse eller enhver anden type fitting med samme gevind;
- Placer pumpen på et fladt underlag, når der skal udføres vedligeholdelse;
- Hvis pumpen ikke er stabil, kan den stabiliseres ved at justere en eller flere fødder enkeltvis (**Fig. 4**);
- For at suge vandet op til minimumsniveauet på 5 mm tilladt af pumpen, skal risten være lukket (**Fig. 5**);
- Hvis dette ikke er opfyldt, er det tilrådeligt at justere risten, så den er helt åben (**Fig. 6**) for at opnå maksimal pumpeydelse;
- Sæt markøren på ON, hvis du ønsker at betjene pumpen kontinuerligt;
- Sæt markøren på AUTO, hvis du vil drage fordel af den integrerede elektroniske niveauekontakt; (**Fig. 7**)

VIGTIGT

Det elektroniske kort, der er indbygget i pumpen, er programmeret til at garantere 3 beskyttelsesniveauer:

- **Beskyttelse i tilfælde af blokeret rotor:** Blokering eller unormal drift af rotoren kan forekomme på grund af for meget snavs. I dette tilfælde vil det interne elektroniske kort aktivere 10 forsøg på at genstarte pumpen korrekt. Hvis pumpen ikke genstarter automatisk efter 10 forsøg, slukker den. I dette tilfælde vil det være nødvendigt at tage strømforsyningsstikket ud af stikkontakten for at genstarte pumpen, vent ca. 10 sekunder, før stikket sættes i igen.
- **Beskyttelse i tilfælde af tørrift:** motorbeskyttelse ved drift uden vand. Pumpen stopper, hvis den kører uden vand. Den elektroniske tavle vil foretage 10 genstartsforøg. Hvis der stadig ikke er nok vand, går pumpen i standby. For at genstarte den skal du tage stikket ud og sætte det i igen eller flytte markøren mellem ON og AUTO eller vente på, at vandstanden udløser den integrerede elektroniske niveauekontakt. Når pumpen tages op af vandet, stopper motoren
- **Termisk beskyttelse:** den træder i funktion automatisk for at forhindre beskadigelse af motoren,

når sensoren, der er indbygget i pumpen, registrerer en betydelig stigning i den omgivende temperatur.
OBS. Undervurder ikke rotorenhedens magnetiske kraft. Hvis du ved et uheld mister grebet og spindlen rammer det rene keramiske bageste leje, er risikoen for at beskadige spindlen eller lejet meget stor. Skader af denne type fører til høje reparationsomkostninger.

VEDLIGEHOLDELSE

Alle reparationer og vedligeholdelsesoperationer må kun udføres efter at have afbrudt pumpen fra strømforsyningen.

Periodisk rengøring af flyderen, der styrer den elektroniske niveauekontakt, anbefales.

Fortsæt som følger:

- Åbn låget på flyderen (**Fig. 8**);
- Træk flyderen (**Fig. 8a**) ud, rengør den under en vandstråle ved hjælp af en blød børste om nødvendigt. Rengør også sædet, hvis det er snavset;
- Sæt flyderen i igen med teksten TOP opad;
- Luk låget på flyderen.

Til rutinemæssig vedligeholdelse er det tilstrækkeligt at rengøre rotorenheden. Til denne operation skal du (**Fig. 9**):

- Løsne de fire Phillips-skruer på bunden af gitteret (**Fig. 9a**);
- Løsne de to Phillips-skruer (**Fig. 9b**), der er tilgængelige ved at fjerne sikkerhedsblokken på udgangene (**7**);
- Fjern spiralhuset og gitteret (**5**). På denne måde vil det være muligt at trække rotoren ud komplet med flange (**2**); (**Fig. 10**)
- Rengør komponenterne under en vandstråle, eventuelt med en blød børste. Saml delene igen ved at udføre alle ovenstående handlinger i omvendt rækkefølge. For ekstraordinær vedligeholdelse, der omfatter udskiftning af rotor-drejeenhed (**2**), skal foregående punkt følges, bortset fra at der skal genmonteres en ny rotor-drejeenhed (**2**) i stedet for den slidte.

ADVARSLER FOR KORREKT BORTSKAFFELSE AF PRODUKTET I OVERENSSTEMMELSE MED DET EUROPÆISKE DIREKTIV 2002/96/EF

Ved slutningen af dets levetid må produktet ikke bortskaffes som husholdningsaffald. Det kan leveres til specialiserede indsamlingscentre, der er oprettet af de kommunale forvaltninger, eller til de forhandlere, der yder denne service. Separat bortskaffelse af et husholdningsapparat undgår mulige negative konsekvenser for miljøet og sundheden og fremmer genvinding af materialer og betydelige energibesparelser.

GARANTI

SICCE garanterer dette produkt mod fejl i materiale og udførelse i en periode på fem (3+2) år fra den oprindelige købsdato, med undtagelse af pumperotoren, som er garanteret i en periode på seks (6) måneder. Denne garanti er begrænset til reparation eller udskiftning (efter Sicces valg) af det defekte produkt og dækker ikke: tab af fisk og/eller planter i akvarier, personskade, slidskader, transportskader eller skader som følge af ukorrekt brug af produktet. Det originale købsbevis skal opbevares for at validere garantien. Eventuelle garantier indeholdt heri skal gives i forbindelse med og ikke i tillæg til en lovbestemt minimumsgarantiperiode. Garantikrav skal indgives til den forhandler, hvorfra produktet er købt. Manglende fremvisning af købsbeviset, der skal vedhæftes garantifordringen, vil ugyldiggøre retten til garantien. På hjemmesiden www.sicce.com, i den relevante session, kan der anmodes om assistance, hvis det ikke har været muligt at kontakte forhandleren. Også i dette tilfælde vil købsbeviset være et grundlæggende krav for korrekt fortsættelse af proceduren. Ansøgeren skal indhente en "Godkendelse af returnering af varer" ved indsendelse, før et produkt sendes til garanti eller teknisk assistance. Køber afholder omkostningerne ved forsendelse til og fra service- eller reparationscenteret.

UNDTAGELSER. Denne garanti dækker ikke følgende: * Skader som følge af ulykke, transport, misbrug, mangel på rimelig omhu, brug af produktet på anden måde end almindelig måde, brug af produktet under unormale arbejdsforhold, eller enhver anden fejl, der ikke skyldes materiale- eller håndværkerfejl. * Skader, der stammer fra ændringer, manipulation eller reparationsforsøg fra andre end teknikere fra Sicce eller en af dets repræsentanter. * Overdragelse af produktet til en anden person end den oprindelige køber. * Brug af produktet med en anden elektrisk standard (Volt/Hz) end den angivne.

FIND UD AF HVORDAN DU FÅR 5 ÅRS GARANTI PÅ DIT PRODUKT.

For at forbedre service og kundetilfredshed tilbyder SICCE muligheden for at anvende yderligere 2 års garanti ved blot at registrere produktet på hjemmesiden www.sicce.com under "Support/Produktregistrering".

EN

IT

DE

FR

ES

NL

PT

CZ

SK

RO

PL

SE

DK

NO

ULTRA 9000

EN

IT

DE

FR

ES

NL

PT

CZ

SK

RO

PL

SE

DK

NO

Kjære kunde

TAKK FOR AT DU velger ULTRA 9000, en nedsenkbar pumpe designet og konstruert for å pumpe turbid vann uten fibre. ULTRA 9000 kan hovedsakelig brukes til private formål med sammenhengende eller automatisk drift via den integrerte elektroniske nivåbryteren, til å tømme kjellere og garasjer som har vært utsatt for flom, til pumping av dreneringsbrønner, til pumping av regnvann fra takrenner, til å tømme svømmebasseng eller deksler til svømmebasseng ved hjelp av det medfølgende, horisontale sugefestet. Hvis den brukes sammenhengende, er ULTRA 9000 også ideell til dammer, fontener, fosser hydrofonisk bruk og akvarier.

For din egen sikkerhet og for en riktig bruk av dreneringspumpen, anbefaler vi at du leser følgende instruksjoner.

GENERELLE SIKKERHETSINSTRUKSJONER

ULTRA 9000 er laget i samsvar med nasjonale og internasjonale lover om sikkerhet.

1. Kontroller at spenningen på pumpens typeskilt er i samsvar med nettspenningen. Pumpen må utstyres med en differensialbryter (vernebryter) der den merkestrømmen er lavere eller lik 30 mA.
2. Disse pumpene kan bare brukes nedsenket i vann.
3. Før du kobler pumpen til det elektriske nettet, kontroller at kabelen og pumpen ikke er skadet.
4. Pumpen har en type Z kabellenke. Ledningen og støpselet kan ikke skiftes ut eller repareres. Ved skade på disse, må hele pumpen skiftes ut.
5. **ADVARSEL:** koble fra alle nedsenkede materialer før du utfører noe vedlikehold under vann. I tilfellet den elektriske kontakten er skadet, skru av hovedbryteren før du kobler fra den elektriske ledningen.
6. Pumpen må ikke gå uten vann for å unngå at motoren skades.
7. Pumpen kan brukes i væsker eller i omgivelser med temperature som ikke er høyere enn 35 °C / 95 °F.
8. Ikke bruk pumpen til noe annet enn det den er konstruert for, f.eks. på badet eller lignende bruksområder.
9. Unngå å bruke pumpen med etsende eller slipende væsker.
10. Pumpet er ikke utformet for personer med funksjonsnesetning eller barn hvis de er uten tilsyn fra en voksen som er ansvarlig for deres sikkerhet.
11. For å unngå at støpselet eller plyggen blir våte av dryppende vann, lag en sløyfe på strømledningen under nivået til støpselet (**Fig. A**).
12. Unngå å holde pumpen i ledningen ved installasjon eller vedlikehold.
13. Pumpen kan bare brukes på de ovennevnte bruksområdene.

ADVARSLER

Bruk i kjellere, svømmebasseng, osv er bare tillatt hvis det elektriske systemet har de egenskapene som er i henhold til de internasjonale forskriftene som gjelder.

Pumpen er utstyrt med et bærehåndtak som også kan brukes til å senke den ned i brønner eller dype utgravninger ved å binde et hull på hullet i håndtaket.

Pumpen må ikke transporteres, løftes eller brukes når den er hengt opp i strømkabelen. Alle skader på strømledningen krever at pumpen skiftes ut, og ingen reparasjon av ledningen.

Derfor er det nødvendig å buke spesialisert og kvalifiserte tekniskere som har kunnskap om kravene i gjeldende forskrifter. Det må også brukes kvalifisert personell ved alle elektriske reparasjoner. Hvis slike blir utført på en feil måte, kan det føre til personskader og materielle skader.

Pumpen må aldri kjøres tørr: Det er imidlertid et elektronisk vern som slår inn og skruer av pumpen hvis den går tørr. Produsenten er ikke ansvarlig for feifunksjon av pumpen hvis den er endret eller modifisert. Hvis bunnen av bunnpannen, der pumpen skal kjøres, er svært skitten, anbefales det å sørge for en støtte som pumpen kan hvile på for å unngå at det tetter seg i innsugingsgrillen.

ULTRA 9000

KOMPONENTER

Pumpenn ULTRA 9000, er designet slik at det er mulig å nærmest demontere alle komponentene, for å kunne forenkle bruken, vedlikeholdet og sikre lang holdbarhet. Nedenfor finner du listen over de enkelte delene og de relevante reservedelene (Fig. 1) - splitttegning:

1. Motorhuset er helt nedsenkbart og isolert med tokomponent harpiks
2. Rotor med flens, kompressorhjul og lager,
3. Bakre keramisk lager (Tilbehøret uttrekkingskrok) Vises ikke på tegningen
4. Gummimuffer (Vises ikke på tegningen)
5. Volutt inkludert gitter som er justerbart i høyden ved hjelp av 4 føtter,
6. Utskiftbare kontakter: vertikale og 90 °,
7. Sikkerhetslås,
8. Flottør for automatikk ON/OFF-funksjon,
9. Flotørdeksel
10. Gradert skalert kobling (Vises ikke på tegningen)

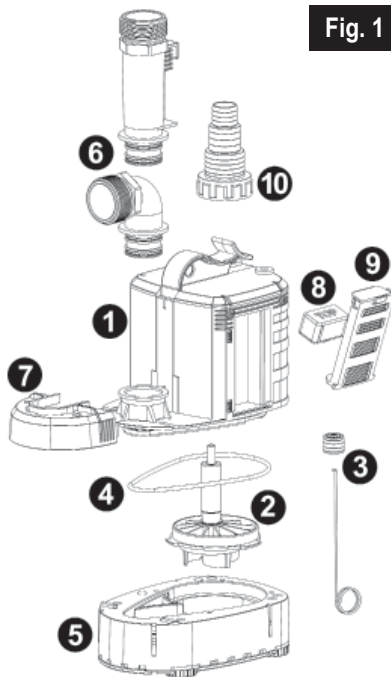


Fig. 1



SE SIDE 9

INSTALLASJON – BRUK OG JUSTERING

Ved den fysiske installasjonen av pumpen må følgende trinn følges:

- Rull ut strømledningen fra pumpen på et område der den ikke kan bli skadet på noen måte.
- Om nødvendig, trøt et tau (for å trekke opp pumpen ved behov) gjennom hullet i huset (Fig. 2).
- Pumpen er sammenstilt på forhånd med et vertikalt uttak: Hvis du ønsker å bruke det på 90°, følger du instruksjonene i (Fig. 3). Utgangene har hann-gjenger på 1" ½ GAS. Det er mulig å koble til den leverte trinnede slangekoblingen eller en hvilken som helst annen type som passer til de gjengene.
- Plasser pumpen på et flatt område som er lett tilgjengelig for vedlikeholdsarbeid,
- Hvis pumpen ikke er stabil, justerer du en eller flere av føttene separat (Fig. 4),
- For å suge opp vannet til minimumsnivået som pumpen tillater, holdes risten lukket (Fig. 5).
- Hvis dette kravet ikke er oppfylt, anbefales det å justere risten til helt åpen (Fig. 6) for å oppnå maksimal ytelse av pumpen,
- Posisjoner markøren på ON hvis du ønsker å kjøre pumpen sammenhengende,
- Posisjoner markøren på AUTO hvis du ønsker å dra nytte av den integrerte, elektroniske nivåbryteren (Fig. 7)

VIKTIG

Elektronikkortet som er bygget inn i pumpen er programmert til å garantere beskyttelsesnivåer:

- **Låst rotorbeskyttelse** Låst eller unormal rotorfunksjon på grunn av mye skitt. I dette tilfellet vil det innvendige elektronikkortet aktivere 10 forsøk på å starte pumpen riktig på nytt. Hvis pumpen ikke starter automatisk etter 10 forsøk, skruer du den av. I dette tilfellet, vil det være nødvendig å ta støpselet ut av kontakten, vente i ca. 10 sekunder før støpselet settes inn igjen.
- **Beskyttelse mot tørkjøring:** beskyttelse av motoren i tilfelle start uten vann. Pumpen stanser hvis den kjøres uten vann. Elektronikkortet vil gjøre 10 forsøk på ny oppstart. Hvis det fremdeles ikke er nok vann, vil pumpen gå i standby For å starte den på nytt, ta ut støpselet og sett det inn igjen, eller beveg markøren mellom ON og AUTO eller vent til vannivået utløser den integrerte, elektroniske nivåbryteren. Når pumpen tas opp av vannet, stopper motoren.
- **Temperaturbeskyttelse:** utløses automatisk for å forhindre skade på motoren når sensoren som er

EN

IT

DE

FR

ES

NL

PT

CZ

SK

RO

PL

SE

DK

NO

ULTRA 9000

EN

IT

DE

FR

ES

NL

PT

CZ

SK

RO

PL

SE

DK

NO

ULTRA 9000

bygget inn i pumpen påviser en betydelig økning av omgivelsestemperaturen.

ADVARSEL Ikke undervurder den magnetiske kreften til rotorenheten. Hvis du er uheldig og mister grepet, og spindelen treffer lageret bak, av keramikk, er rikoen for å skade den eller lagret svært stor. Skader av denne typen innebærer høye reparasjonskostnader.

VEDLIKEHOLD

Alt reparasjons- og vedlikeholdsarbeid må utføres først etter at pumpen er frakoblet strømmen.

Jevnlig rengjøring av flottøren som styrer elektronikknivåbryteren anbefales.

Fortsett slik :

- Åpne lokket til flottøren (**Fig. 8**).
- Trekk ut flottøren (**Fig. 8a**), gjør den ren under en vannstråle og en myk kost, ved behov. Rengjør også setet hvis det er skittent,
- Sett inn flottøren igjen med teksten TOP vendt oppover,
- Lukk lokket til flottøren.

Ved rutinemessig vedlikehold, er det tilstrekkelig å rengjøre rotoren. For å gjøre dette må du (**Fig. 9**):

- Skru ut de fire skruene som er tilgjengelige fra bunnen av risten (**Fig. 9a**):
- Skru ut de to skruene (**Fig. 9b**) som er tilgjengelig ved å ta ut sikkerhetsblokken på utgangen (**7**),
- Ta av voluten og risten (**5**). På denne måten vil det være mulig å trekke ut hele rotoren med flensen (**2**), (**Fig. 10**)
- Rengjør komponentene under en vannstråle, muligens sammen med bruk av en myk børste. Sett sammen delene igjen ved å utføre trinnene over i omvendt rekkefølge. Ved ekstraordinært vedlikehold som innebærer å skifte ut kompressorhjulet (**2**) fortsetter du som i forrige punkt med unntak av å sette inn et nytt kompressorhjul (**2**) etter først å ha tatt ut det slitte.

INSTRUKSJONER FOR RIKTIG AVHENDING AV PRODUKTET I HENHOLD TIL EU DIREKTIV 2002/96/EU

Når pumpen er utslitt eller skadet, må produktet ikke kastes sammen med annet avfall. Det må leveres sammen med spesialavfall til sentre eller forhandlere som yter denne tjenesten. Ved å avhende elektriske artikler som spesialavfall unngår man miljøforurensning og helsemessige belastninger, og tillater gjenbruk av materialet slik at både energibruk og ressurser spares.

GARANTI

SICCE garanterer dette produktet (se utelatelene nedenfor) for den opprinnelige kjøperen mot defekter på materiale or arbeidsutførelse for en periode på fem (3+2) år fra den opprinnelige kjøpsdatoen, med unntak av pumps kompressorhjul, som er garantert for en periode på seks (6) måneder. Denne garantien er begrenset til reparasjon eller utskifting (etter Sicces beslutning) av det defekte produktet og dekker ikke tap av fisk eller planter i dammen, personskader, materielle tap eller skader som har oppstått fra bruk av dette produktet. Vi anbefaler at du oppbevarer det originale kjøpsbeviset for å validere garantien. Krav etter garantien må sendes til forhandleren du kjøpte produktet av. Manglende kjøpsbevis knyttet til garantikravet vil tilsidesette retten til garanti. Ved å logge deg inn på nettstedet www.sicce.com, kan du be om hjelp hvis du ikke har vært i stand til å kontakte forhandleren. Også i dette tilfellet vil kjøpsbevis være et absolutt krav for riktig utførelse av retur av produktet. Alle garantier som er nevnt her skal løpe sammen med, og ikke i tillegg til, eventuelle minste garantiperioder som er etablert av gjeldende lov. Den som gjør krav på garantien må innhente en "Autorisasjon for retur av varer" (Return Merchandise Authorization - RMA) når kravet gjøres gjeldende, men før vare sendes for garantikrav eller til teknisk service. Kjøperen bærer kostnadene for frakt til og fra servicesenteret eller reparasjonsverkstedet.

UTELATELSER Denne garantien dekker ikke følgende: *Skader som skledde ulykker, feil bruk, misbruk, manglende rimelig vedlikehold, bruk av produktet på en annen måte enn det som er normalt eller vanlig, bruk av produktet i en unormal driftsstand eller noen andre feil som ikke skyldes materialet eller produksjonen av produktet. *Skade som skyldes modifikasjoner, fikling med, eller forsøk på reparasjonsarbeid av noen andre enn Sicce eller den som er utpekt av ham. * Overføring av produktet til noen andre enn den opprinnelige kjøperen. * Utsette produktet for strømforsyning som ikke er i henhold til emballasjen. Den opprinnelige kjøperen er ansvarlig for å sørge for riktige strømforhold."

FINN UT NÅ HVORDAN DU KAN FÅ PRODUKTET DITT GARANTERT I 5 ÅR.

For å styrke servicen vår og også kundetilfredsheten, tilbyr Sicce muligheten til å legge til en 2 års forlengelse (totalt 5 år) til garantien ved å registrere produktet på nettstedet vårt, under www.sicce.com i "Support/ Product Registration" Fyll ut skjemaet og last opp kvitteringen for produktet. Etter at du har fylt inn alle opplysningene, fullfører du anmodningen om garanti.

SICCE S.r.l.

Via V. Emanuele, 115 - 36050 Pozzoleone (VI) - Italy
Tel. +39 0444 462826 - Fax +39 0444 462828
P. IVA / VAT 02883090249
info@sicce.com • www.sicce.com

SICCE US Inc.

infous@sicce.com • www.sicce-us.com

SICCE AUSTRALIA Pty Ltd

info@sicce.com.au • www.sicce.com.au